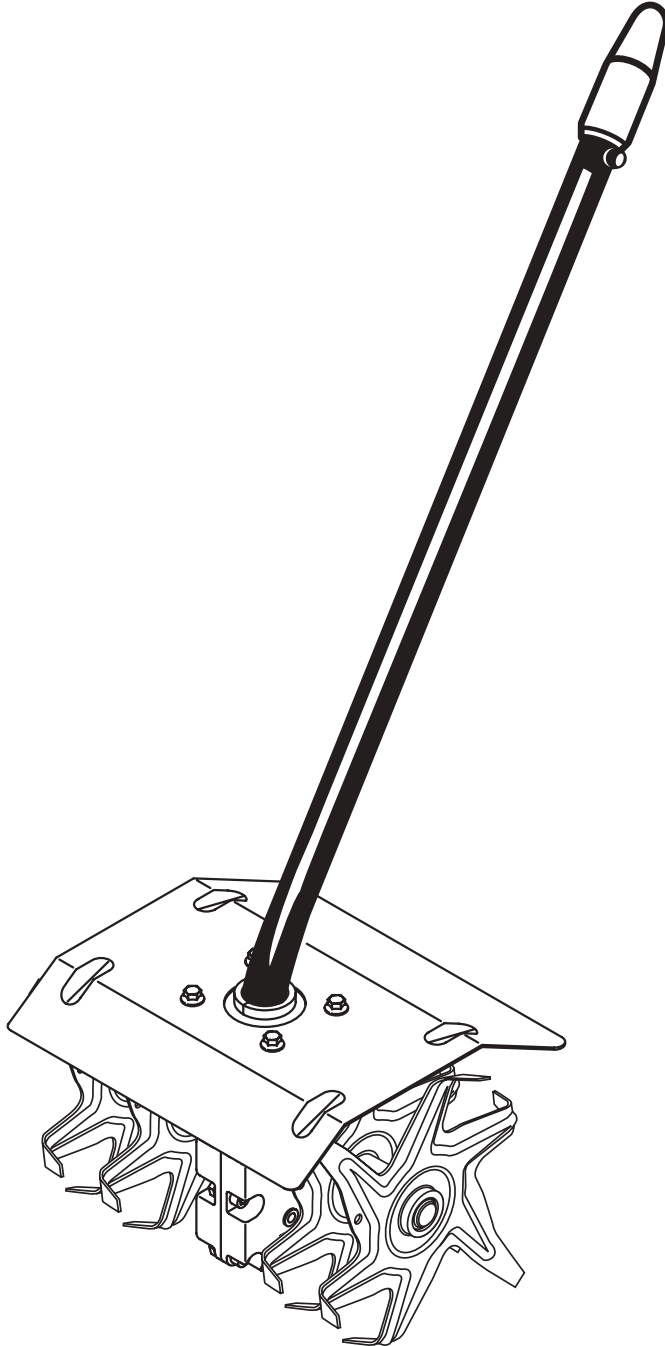




Operator's Manual



Cultivator TBGC



IMPORTANT: READ SAFETY RULES AND INSTRUCTIONS CAREFULLY

P/N 769-00485A (11/03)

INTRODUCTION

THANK YOU

Thank you for buying this quality product. This modern outdoor power tool will provide many hours of useful service. You will find it to be a great labor-saving device. This operator's manual provides you with easy-to-understand operating instructions. Read the whole manual and follow all the instructions to keep your new outdoor power tool in top operating condition.

PRODUCT REFERENCES, ILLUSTRATIONS AND SPECIFICATIONS

All information, illustrations, and specifications in this manual are based on the latest product information available at the time of printing. We reserve the right to make changes at any time without notice.

Copyright© 2003 MTD SOUTHWEST INC, All Rights Reserved.

SERVICE INFORMATION

Service on this unit both within and after the warranty period should be performed only by an authorized and approved service dealer.

For service call **1-800-520-5520** to obtain a list of authorized service dealers near you. For more details about your unit, visit our website at www.troybilt.com.

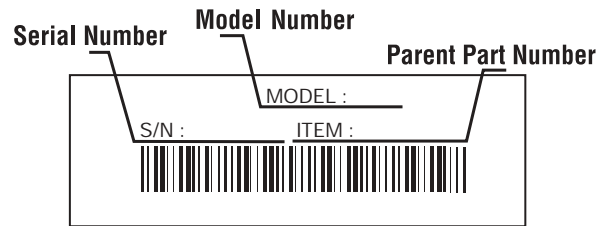
If you have difficulty assembling this product or have any questions regarding the controls, operation or maintenance of this unit, please call the Customer Support Department.

DO NOT RETURN THE UNIT TO THE RETAILER. PROOF OF PURCHASE WILL BE REQUIRED FOR WARRANTY SERVICE.

TABLE OF CONTENTS

Service Information	2
Rules for Safe Operation	3
Know Your Unit	6
Operating Instructions	7
Maintenance and Repair Instructions	8
Specifications	9
Warranty Information	10
Parts List	Inside Back Cover

Before beginning, locate the unit's model plate. It lists the model and serial numbers of your unit. Refer to the sample plate below and copy the information for future reference.



Copy the model and parent part number here: _____

Copy the serial number here: _____

Make sure you carefully read and understand this manual before starting or operating this equipment.

THIS PRODUCT IS COVERED BY ONE OR MORE U.S. PATENTS. OTHER PATENTS PENDING.

RULES FOR SAFE OPERATION

The purpose of safety symbols is to attract your attention to possible dangers. The safety symbols, and their explanations, deserve your careful attention and understanding. The safety warnings do not by themselves eliminate any danger. The instructions or warnings they give are not substitutes for proper accident prevention measures.

SYMBOL	MEANING
--------	---------



SAFETY ALERT: Indicates danger, warning or caution. Attention is required in order to avoid serious personal injury. May be used in conjunction with other symbols or pictographs.

NOTE: Advises you of information or instructions vital to the operation or maintenance of the equipment.

Read the Operator's Manual(s) and follow all warnings and safety instructions.

Failure to do so can result in serious injury to the operator and/or bystanders.

FOR QUESTIONS, CALL 1-800-520-5520

SYMBOL	MEANING
--------	---------



DANGER: Failure to obey a safety warning will result in serious injury to yourself or to others. Always follow the safety precautions to reduce the risk of fire, electric shock and personal injury.



WARNING: Failure to obey a safety warning can result in injury to yourself and others. Always follow the safety precautions to reduce the risk of fire, electric shock and personal injury.



CAUTION: Failure to obey a safety warning may result in property damage or personal injury to yourself or to others. Always follow the safety precautions to reduce the risk of fire, electric shock and personal injury.

• IMPORTANT SAFETY INSTRUCTIONS •

READ ALL INSTRUCTIONS BEFORE OPERATING



WARNING: When using the unit, you must follow the safety rules. Please read these instructions before operating the unit in order to ensure the safety of the operator and any bystanders. Please keep these instructions for later use.

- Carefully read and understand the operator's manual of the unit that powers this attachment.
- Read this operating instruction manual carefully. Be thoroughly familiar with the controls and the proper use of the equipment. Know how to stop the unit and disengage the controls quickly.
- Do not operate this unit when tired, ill, or under the influence of alcohol, drugs, or medication.
- Never allow children to operate the equipment. Never allow adults unfamiliar with the instructions to use the unit. Never allow adults to operate the equipment without proper instruction.
- All guards and safety attachments must be installed properly before operating the unit.
- Inspect the unit before use. Ensure the tines are installed correctly and secure.
- Clear the area to be cultivated before each use. Remove all objects such as rocks, broken glass, nails, wire, or string which can be thrown or become entangled in the cultivator attachment.

SPECIAL SAFETY WARNINGS FOR GAS POWERHEADS AND CULTIVATORS



WARNING: Gasoline is highly flammable, and its vapors can explode if ignited. Take the following precautions:

- Store fuel only in containers specifically designed and approved for the storage of such materials.
- Always stop the engine and allow it to cool before filling the fuel tank. Never remove the cap of the fuel tank, or add fuel, when the engine is hot. Never operate the unit without the fuel cap securely in place. Loosen the fuel tank cap slowly to relieve any pressure in the tank.
- Mix and add fuel in a clean, well-ventilated area outdoors where there are no sparks or flames. Slowly remove the fuel cap only after stopping engine. Do not smoke while fueling or mixing fuel. Wipe up any spilled fuel from the unit immediately.
- Avoid creating a source of ignition for spilled fuel. Do not start the engine until fuel vapors dissipate.
- Move the unit at least 30 feet (9.1 m) from the fueling source and site before starting the engine. Do not smoke. Keep sparks and open flames away from the area while adding fuel or operating the unit.
- Never start or run the unit inside a closed room or building. Breathing exhaust fumes can kill. Operate this unit only in a well ventilated area outdoors.

RULES FOR SAFE OPERATION

SPECIAL SAFETY WARNINGS FOR ELECTRIC POWERHEADS AND CULTIVATORS



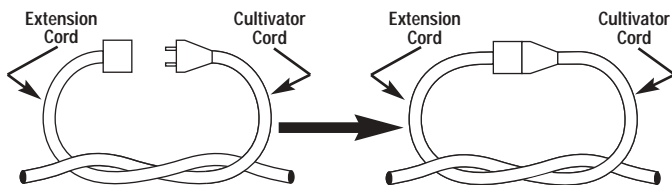
DANGER: When using electric gardening appliances, basic safety precautions should always be followed to reduce the risk of fire, electric shock and personal injury. Carefully read and understand the entire operator's manual before using your unit. Pay close attention to the operating instructions and safety warnings.

- **CORD SETS:** Make sure your cord set is in good condition. When using a cord set, be sure to use a cord that is heavy enough to carry the current that your unit will draw. An undersized cord set will cause a drop in line voltage resulting in loss of power and overheating. See the operator's manual for the unit that will power this add-on for the recommended cord size.



WARNING: To reduce the risk of electrical shock, use only SW-A, SOW-A, STW-A, STOW-A, SJW-A, SJOW-A, SJTW-W or SJTOW-A cord types.

- Inspect all extension cords and the unit power connection periodically. Look closely for deterioration, cuts or cracks in the insulation. Also inspect the connections for damage. Replace the cords if any defects or damage appear.
- Prevent disconnection of the cultivator powerhead from extension cord during operation by using a plug-receptacle retaining strap, connector, or by making a knot as shown below:



- Avoid dangerous environments. Never operate your unit in damp or wet conditions. Moisture is a shock hazard.
- Do not use the unit in the rain. Do not use in or around water.
- Do not handle the plug or unit with wet hands or standing on any wet surfaces.
- Do not leave the unit plugged in when not in use, changing attachments or add-ons, or while being serviced.

WHILE OPERATING

- Keep bystanders, especially children and pets, at least 50 ft (15 m) away.
- Wear safety glasses or goggles that are marked as meeting ANSI Z87.1 standards, and ear/hearing protection when operating this unit. Wear a face or dust mask if the operation is dusty.

- Wear heavy, long pants, boots, gloves and a long sleeve shirt. Do not wear loose clothing, jewelry, short pants, sandals or go barefoot. Secure hair above shoulder level.
- Use the unit only in daylight or good artificial light.
- Use the right tool. Only use this tool for the purpose intended.
- Do not force unit. It will do the job better and with less likelihood of injury at a rate for which it was designed.
- Use extreme caution when reversing or pulling the unit towards you.
- Do not overreach, take extra care when working on steep slopes or inclines. Always keep proper footing and balance.
- Always hold the unit with both hands when operating. Keep a firm grip on both the front and rear handle or grips.
- Keep hands, face, and feet at a distance from all moving parts. Do not touch or try to stop the tines when they are rotating. Do not operate without guards in place.
- Do not operate the engine faster than the speed needed to do the job. Do not run the engine at high speed when not in use.
- Always stop the engine/motor when operation is delayed or when walking from one location to another.
- Stop the engine/motor for maintenance, repair, to install or remove the tines. The unit must be stopped and the tines no longer turning to avoid injury.
- The tines become very sharp from use. Always wear heavy gloves when handling, removing, installing or cleaning the tines.
- If you strike or become entangled with a foreign object, stop the engine/motor immediately and check for damage. Have any damage repaired before attempting further operations.
- Stop the unit **IMMEDIATELY** if you feel excessive vibration. Vibration is a sign of trouble. Inspect thoroughly for loose nuts, bolts or damage before continuing. Repair or replace affected parts as necessary.
- Stop and switch the unit to off for maintenance, repair, or for changing add-ons or other attachments.
- Keep unit clean of vegetation and other materials. They may become lodged between the tines and gearbox or guard.
- Use only genuine factory replacement parts and accessories for this unit. These are available from your authorized service dealer. Use of any unauthorized parts or accessories could lead to serious injury to the user or damage to the unit, and void your warranty.

MAINTENANCE AND STORAGE

- Allow the unit to cool before storing or transporting. Be sure to secure the unit while transporting.
- Store the unit in a locked up and dry or high and dry place to prevent unauthorized use or damage, out of the reach of children.

RULES FOR SAFE OPERATION

- Clean the tines with a hose and water. Wipe the tines with a light machine oil to prevent rust.
- Never douse or squirt the unit with water or any other liquid. Keep handles dry, clean and free from debris. Clean after each use.
- Keep these instructions. Refer to them often and use them to instruct other users. If you loan someone this unit, also loan them these instructions.
- Only qualified personnel should perform any repairs or maintenance procedures that are not described in this manual.
- Check shear bolts, engine mounting bolts and other bolts at frequent intervals for proper tightness to be sure the equipment is in safe working condition.
- Inside a building store the machine away from ignition sources. Allow the engine to cool before storing in any enclosure.
- Always refer to the Operator's Manual instructions for important details if the cultivator is to be stored for an extended period.
- Do not attempt to repair the machine unless you have the proper tools, and instructions for disassembly and repair of the machine.

SAVE THESE INSTRUCTIONS

SAFETY AND INTERNATIONAL SYMBOLS

This operator's manual describes safety and international symbols and pictographs that may appear on this product. Read the operator's manual for complete safety, assembly, operating and maintenance and repair information.

SYMBOL

MEANING



• SAFETY ALERT SYMBOL

Indicates danger, warning, or caution. May be used in conjunction with other symbols or pictographs.



• WARNING - READ OPERATOR'S MANUAL

Read the Operator's Manual(s) and follow all warnings and safety instructions. Failure to do so can result in serious injury to the operator and/or bystanders.



• WEAR EYE AND HEARING PROTECTION

WARNING: The operation of any power tool can be the source of thrown objects and loud noise which can cause severe eye injury and hearing loss. Always wear safety glasses or goggles eye protection meeting ANSI Z87.1 standards and ear protection when operating this unit. Use a full face shield when needed.



• KEEP BYSTANDERS AWAY

WARNING: Keep all bystanders, especially children and pets, at least 50 feet (15 m) from the operating area.



• THROWN OBJECTS CAN CAUSE SEVERE INJURY

WARNING: Do not operate unit without proper attachments and guards in place.



• GARDEN CULTIVATORS – ROTATING TINES CAN CAUSE SEVERE INJURY

WARNING: Stop the engine/motor and allow the tines to stop before installing or removing tines, or before cleaning or performing any maintenance. Keep hands and feet away from rotating tines.

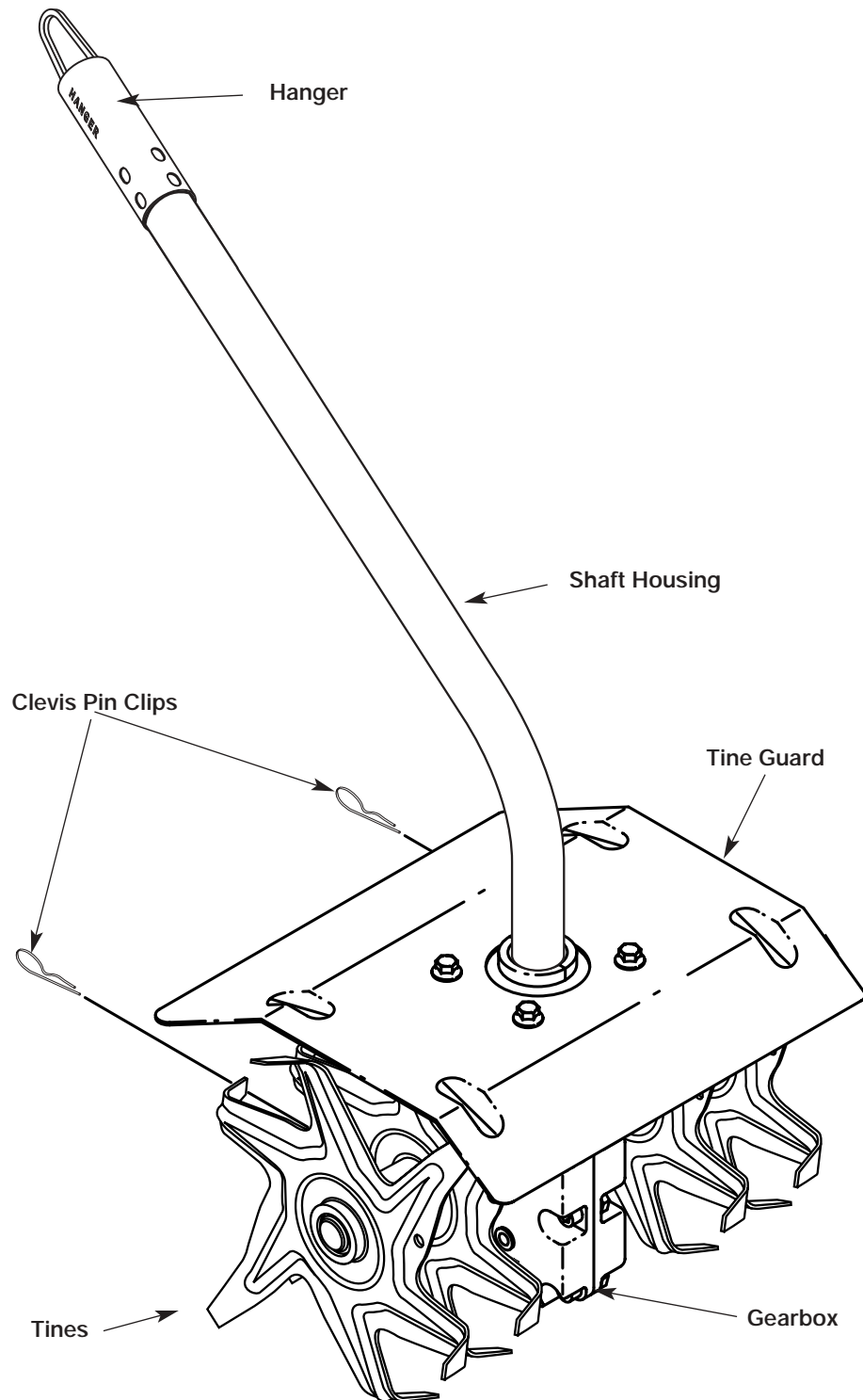
RULES FOR SAFE OPERATION

KNOW YOUR UNIT

APPLICATIONS

With Cultivator Add-On:

- Cultivating sod and light soil. Also for cultivating in garden areas, around trees, etc.



OPERATING INSTRUCTIONS

ASSEMBLING THE COUPLER

The following Troy-Bilt Add-Ons are also available for your unit:

Cultivator	TBGC
Edger	TBLE
Hedge Trimmer	TBAH
Straight Shaft Trimmer	TBSS
Turbo Blower	TBTB
Pole Saw	TBPS

 **WARNING:** Prior to operation, read and understand the operator's manual for unit to be used with this add-on.

Removing the add-on:

1. Turn the knob counterclockwise to loosen (Fig. 1).
2. Press and hold the release button (Fig. 1).
3. While firmly holding the upper shaft housing, pull the garden cultivator Add-On out of the coupler (Fig. 2).

 **WARNING:** To avoid serious personal injury and damage to the unit, shut the unit off before removing or installing add-ons.

Installing the add-on:

NOTE: To make installing or removing the Add-On easier, place the unit on the ground or on a work bench.

1. Remove the hanger from the top of the shaft housing.
2. Turn knob counterclockwise to loosen (Fig. 1).
3. While firmly holding the add-on, push it straight into the coupler (Fig. 2).

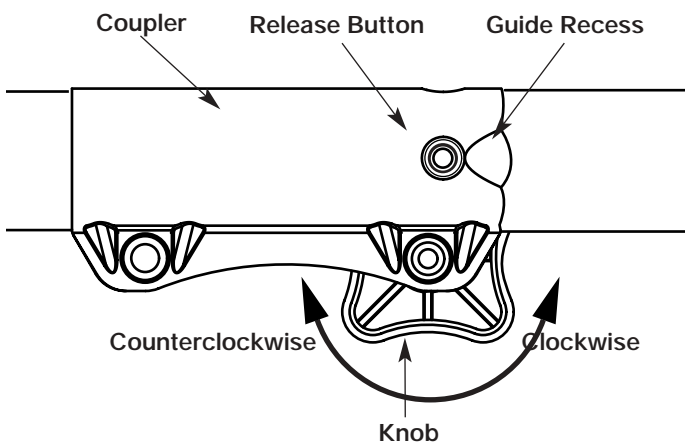


Fig. 1

NOTE: Aligning the release button with the guide recess will help installation (Fig. 1).

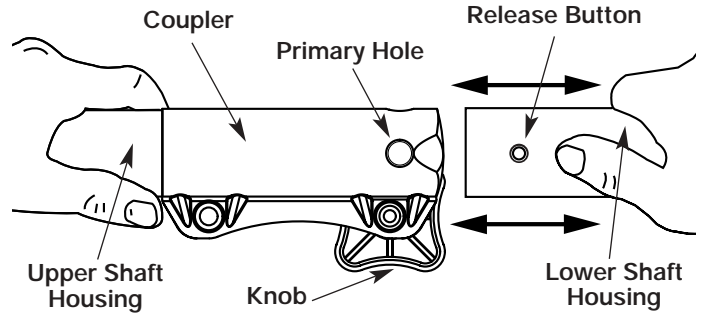


Fig. 2

4. Turn the knob clockwise to tighten (Fig. 3).

 **CAUTION:** Lock the release button in the primary hole (Fig. 2) and securely tighten the knob before operating this unit.

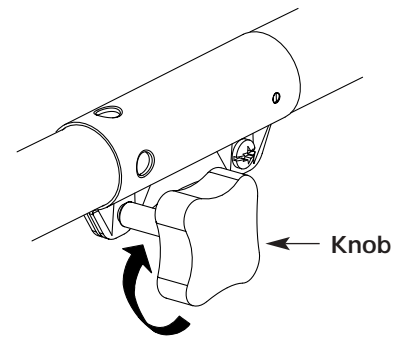



Fig. 3

 **CAUTION:** The add-ons with the coupler system is to be used in the primary hole only. Using the wrong hole could lead to personal injury or damage to the unit.

The cultivator add-on should be installed with the release button in the **primary hole**.

Check Flex Shaft Engagement Prior to Using

1. Start the unit.
2. Briefly engage and release the trigger.
3. Check that add-on is operating.
4. If the add-on is not operating, remove add-on and repeat steps for installing the add-on.
5. Recheck operation of add-on attachment.

OPERATING INSTRUCTIONS

OPERATING TIPS



WARNING: Dress properly to reduce the risk of injury when operating this unit. Do not wear loose clothing or jewelry. Wear eye and ear/hearing protection. Wear heavy long pants, boots and gloves. Do not wear short pants, sandals or operate barefoot.

1. Move the cultivator to the work area prior to starting the engine/motor.
2. Start the unit.
3. With the engine running and the tines off the ground, depress the throttle control to increase the engine speed.
4. Holding both of the shaft and handle grips firmly, slowly lower the cultivator until the tines make contact with the ground (Figs. 4 & 5).
5. As cultivating action begins, pull back on the cultivator so that the tines can penetrate the ground.
6. Once the ground has been broken, continue at a moderate pace until you are familiar with the controls and the handling of the cultivator.



WARNING: To prevent serious personal injury, use extreme caution when reversing or pulling the unit towards you.



Fig. 4



Fig. 5

MAINTENANCE

TINE REMOVAL AND REPLACEMENT

Replace all four (4) tines at the same time, because they will wear evenly through normal use. Work on one side at a time.



WARNING: To prevent serious personal injury, always wear heavy gloves when handling the tines.

1. Stop the unit and disconnect the spark plug wire. (gas) or unplug the unit (electric).
2. Remove the clevis pin clips and clevis pins (Fig. 6).
3. Remove the tines and felt washers from the shaft.
4. Clean and oil the shaft.
5. The tines are stamped with the letter "R" or "L" to identify their position on each side of the gearbox when facing the front of the unit.
6. Replace the tines and felt washers onto the shaft with the hubs on the tines facing each other.

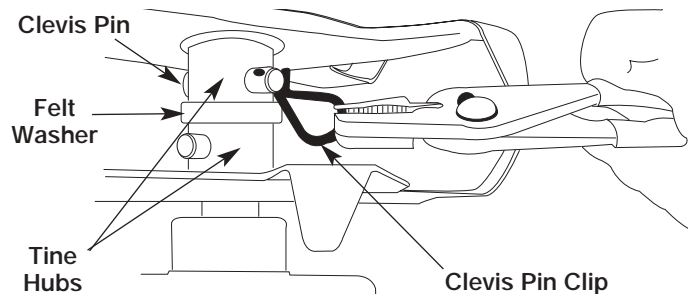


Fig. 6

MAINTENANCE AND REPAIR INSTRUCTIONS

7. Before you reinstall the clevis pins and pin clips, ensure that the tips on the tines are staggered when compared to each other (Fig. 7).
8. Repeat this procedure on the opposite side.

NOTE: When installed correctly, there will be an "R" and "L" tine on both the sides of the gearbox and the tips of the tines. These letters will line up in the same direction for each side. It is important that the tines are installed correctly.

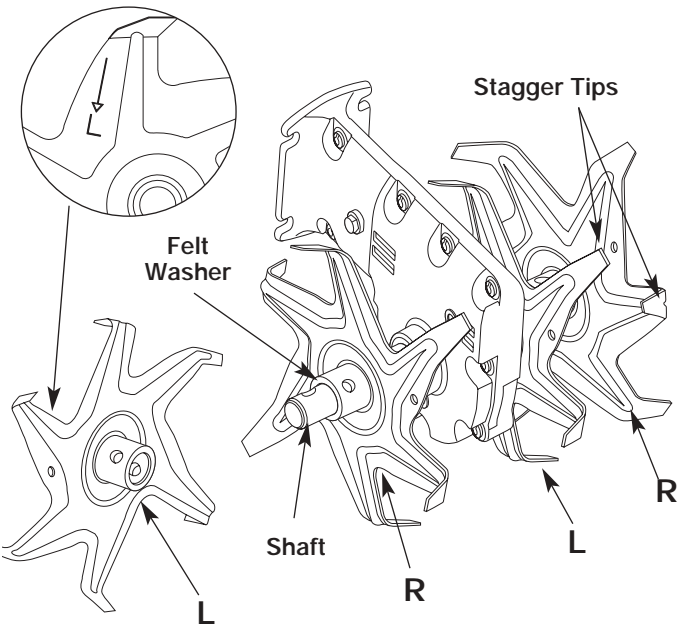


Fig. 7

STORAGE

- Check unit before storage to be sure the equipment is in safe working condition.
- Stop the engine or motor.
- Store the unit indoors, in a dry and locked place, out of the reach of children.

For gas powerhead units

- Allow the unit to cool before storing in any enclosure.
- Drain fuel from unit. Never store the unit with fuel in the fuel tank inside a building where ignition sources are present such as hot water and space heaters, clothes dryers, etc.

TRANSPORTING

- Allow the unit to cool before transporting.
- Secure the unit while transporting.

For gas powerhead units

- Drain fuel from unit.
- Tighten fuel cap before transporting.

ACCESSORIES/REPLACEMENT PARTS

Tine Assembly (Left Outer and Right Inner)	182729
Tine Assembly (Left Inner and Right Outer)	182730
Tine Fastener Assembly	147473

Use only original equipment replacement parts.

SPECIFICATIONS

CULTIVATOR ADD-ON

Operating Weight of Attachment:	10 lbs. (4.65 kg)
Adjustable Tine Width	6" to 10.25"
Steel Tines	8"

MANUFACTURER'S LIMITED WARRANTY FOR:



The limited warranty set forth below is given by Troy-Bilt LLC with respect to new merchandise purchased and used in the United States, its possessions and territories.

Troy-Bilt LLC warrants this product against defects in material and workmanship for a period of two (2) years commencing on the date of original purchase and will, at its option, repair or replace, free of charge, any part found to be defective in material or workmanship. This limited warranty shall only apply if this product has been operated and maintained in accordance with the Operator's Manual furnished with the product, and has not been subject to misuse, abuse, commercial use, neglect, accident, improper maintenance, alteration, vandalism, theft, fire, water or damage because of other peril or natural disaster. Damage resulting from the installation or use of any accessory or attachment not approved by Troy-Bilt LLC for use with the product(s) covered by this manual will void your warranty as to any resulting damage. This warranty is limited to ninety (90) days from the date of original retail purchase for any Troy-Bilt product that is used for rental or commercial purposes, or any other income-producing purpose.

HOW TO OBTAIN SERVICE: Warranty service is available, WITH PROOF OF PURCHASE THROUGH YOUR LOCAL AUTHORIZED SERVICE DEALER. To locate the dealer in your area, visit our website at www.troybilt.com, check for a listing in the Yellow Pages, call **1-800-520-5520** or write to P.O. Box 361131, Cleveland, OH 44136-0019.

This limited warranty does not provide coverage in the following cases:

- A. Tune-ups - Spark Plugs, Carburetor Adjustments, Filters
- B. Wear items - Bump Knobs, Outer Spools, Cutting Line, Inner Reels, Starter Pulley, Starter Ropes, Drive Belts
- C. Troy-Bilt LLC does not extend any warranty for products sold or exported outside of the United States of America, its possessions and territories, except those sold through Troy-Bilt's authorized channels of export distribution.

Troy-Bilt LLC reserves the right to change or improve the design of any Troy-Bilt Product without assuming any obligation to modify any product previously manufactured.

No implied warranty, including any implied warranty of merchantability or fitness for a particular purpose, applies after the applicable period of express written warranty above as to the parts as identified. No other express warranty or guaranty, whether written or oral, except as mentioned above, given by any person or entity, including a dealer or retailer, with respect to any product shall bind Troy-Bilt LLC. During the period of the Warranty, the exclusive remedy is repair or replacement of the product as set forth above. (Some states do not allow limitations on how long an implied warranty lasts, so the above limitation may not apply to you.)

The provisions as set forth in this Warranty provide the sole and exclusive remedy arising from the sales. Troy-Bilt LLC shall not be liable for incidental or consequential loss or damages including, without limitation, expenses incurred for substitute or replacement lawn care services, for transportation or for related expenses, or for rental expenses to temporarily replace a warranted product. (Some states do not allow limitations on how long an implied warranty lasts, so the above limitation may not apply to you.)

In no event shall recovery of any kind be greater than the amount of the purchase price of the product sold. Alteration of the safety features of the product shall void this Warranty. You assume the risk and liability for loss, damage, or injury to you and your property and/or to others and their property arising out of the use or misuse or inability to use the product.

This limited warranty shall not extend to anyone other than the original purchaser, original lessee or the person for whom it was purchased as a gift.

How State Law Relates to this Warranty: This warranty gives you specific legal rights, and you may also have other rights which vary from state to state.

To locate your nearest service dealer dial **1-800-520-5520**.

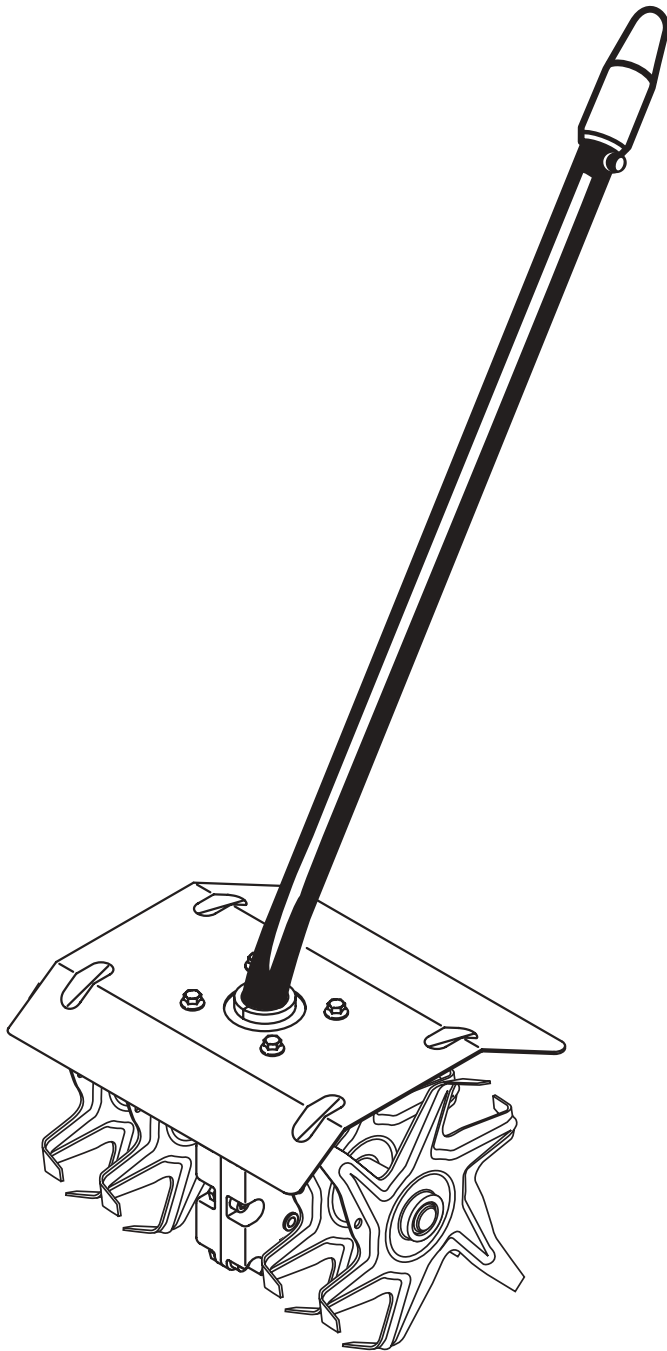
Troy-Bilt LLC

P.O. Box 361131

Cleveland, OH 44136-0019



Manuel de L'utilisateur



**Cultiver
TBGC**



IMPORTANT: LISEZ LES RÈGLES ET CONSIGNES DE SÉCURITÉ SOIGNEUSEMENT

P/N 769-00485A (11/03)

INTRODUCTION

TOUS NOS REMERCIEMENTS

Nous vous remercions d'avoir acheté ce produit de qualité. Cet outil mécanique de plein air moderne est conçu pour vous rendre service pendant longtemps. Il vous sauvera beaucoup de temps comme vous pourrez vous en rendre compte. Ce manuel de l'utilisateur comporte un mode d'emploi facile à comprendre. Prenez soin de lire le manuel au complet et suivez toutes ses instructions à la lettre afin de conserver votre nouvel outil mécanique de plein air en excellent état de fonctionnement.

RÉFÉRENCES, ILLUSTRATIONS ET SPÉCIFICATIONS RELATIVES AU PRODUIT

Toutes les informations, illustrations et spécifications contenues dans ce manuel tiennent compte des dernières informations techniques disponibles au moment de mettre sous presse. Nous nous réservons le droit d'y apporter des modifications à tout moment, sans préavis.

Copyright© 2003 MTD SOUTHWEST INC., Tous droits réservés.

INFORMATIONS D'ENTRETIEN

Tout entretien effectué sur cet appareil pendant et après la période de garantie doit être fait par un concessionnaire agréé uniquement. Obtenez la liste des concessionnaires agréés appelez le **1-800-520-5520**. Pour de plus amples informations à propos de votre appareil, visitez www.troybilt.com.

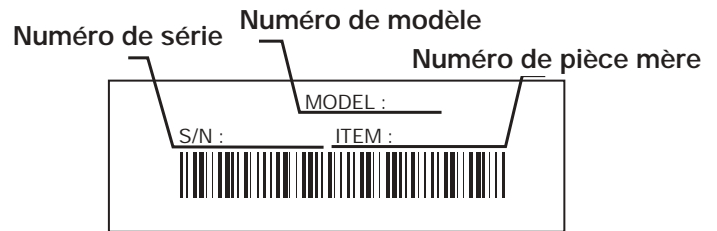
NE RETOURNEZ PAS L'APPAREIL AU DÉTAILLANT CHEZ QUI VOUS L'AVEZ ACHETÉ. TOUT SERVICE SOUS GARANTIE NÉCESSITE UNE PREUVE D'ACHAT.

Avant d'assembler votre nouvel équipement, repérez la plaque signalétique de l'appareil et copiez ses informations dans l'espace ci-dessous. Ces informations sont essentielles si vous désirez obtenir de l'aide auprès de notre service technique ou d'un distributeur agréé. Un exemple de plaque signalétique est présenté ci-dessous.

TABLE DES MATIÈRES

Service technique	2
Consignes de sécurité	3
Familiarisez-vous avec votre appareil	6
Mode d'emploi	7
Entretien et réparations	8
Caractéristiques	9
Garantie	10
Liste des pièces . . . Intérieure de la Couverture Arrière	

Si vous éprouvez des difficultés à assembler ce produit ou si vous avez des questions concernant les commandes, le fonctionnement ou l'entretien de cet appareil, veuillez communiquer avec notre service technique.



Copiez le numéro de modèle / pièce mère ici : _____

Copiez le numéro de série ici : _____

Prenez soin de lire et de bien comprendre ce manuel avant de démarrer ou de faire fonctionner cet équipement.

CE PRODUIT EST COUVERT PAR UN OU PLUSIEURS BREVETS AMÉRICAINS, ET D'AUTRES SONT EN INSTANCE.

CONSIGNES DE SÉCURITÉ

Les symboles de sécurité attirent votre attention sur des dangers potentiels. Ces symboles et leurs détails explicatifs méritent que vous les lisiez et compreniez bien. Les avertissements de sécurité ne peuvent éviter les dangers de par eux-mêmes. Les consignes ou mises en garde qu'ils donnent ne remplacent pas des mesures préventives appropriées contre les accidents.

SYMBOLE SIGNIFICATION



ALERTE DE SÉCURITÉ:

indique un danger, un avertissement ou une mise en garde. Soyez vigilant afin d'éviter toute blessure grave. Ce symbole peut être combiné à d'autres symboles ou pictogrammes.

REMARQUE: donne des informations ou des instructions vitales pour le fonctionnement ou l'entretien de l'équipement.

Lisez le(s) manuel(s) de l'utilisateur et suivez tous les avertissements et consignes de sécurité. Vous pourriez à défaut entraîner des blessures graves pour vous ou d'autres personnes.

SI VOUS AVEZ DES QUESTIONS, APPELEZ LE
1-800-520-5520

SYMBOLE SIGNIFICATION



DANGER: le non-respect d'un avertissement peut causer dommages matériels ou blessures graves pour tous. Respectez les consignes de sécurité afin de réduire les risques d'incendie, d'électrocution et de blessures.



AVERTISSEMENT: le non-respect d'un avertissement peut causer dommages matériels ou blessures graves pour tous. Respectez les consignes de sécurité afin de réduire les risques d'incendie, d'électrocution et de blessures.



MISE EN GARDE: le non-respect d'un avertissement peut causer dommages matériels ou blessures graves pour tous. Respectez toujours les consignes de sécurité afin de réduire les risques d'incendie, d'électrocution et de blessures.

• IMPORTANTES CONSIGNES DE SÉCURITÉ •

LISEZ TOUTES LES INSTRUCTIONS
AVANT L'UTILISATION



AVERTISSEMENT: suivez soigneusement les consignes de sécurité lorsque vous utilisez cet appareil. Dans l'intérêt de votre sécurité et de celle des personnes à proximité, prenez soin de lire ces instructions avant de faire fonctionner la machine. Veuillez garder les instructions en lieu sûr pour usage ultérieur.

- Prenez soin de bien lire et comprendre le manuel de l'appareil qui alimente cet accessoire.
- Veuillez lire le manuel de l'utilisateur attentivement. Familiarisez-vous avec les commandes et l'utilisation correcte de l'appareil. Sachez comment arrêter l'appareil et désactiver les commandes rapidement.
- N'utilisez pas l'appareil si vous êtes fatigué, malade ou sous l'effet de l'alcool, de drogues ou de médicaments.
- Ne laissez pas les enfants faire fonctionner l'appareil. Ne laissez jamais des adultes qui ne se sont pas familiarisés avec les instructions utiliser l'appareil. Ne laissez jamais des adultes n'ayant jamais reçu les instructions nécessaires faire fonctionner l'appareil.
- Tous les accessoires de sécurité et protections doivent être correctement installés avant d'utiliser cet appareil.
- Inspectez l'appareil avant utilisation. Assurez-vous que les dents sont installées correctement et bien assujetties.
- Dégagez la zone à cultiver avant chaque usage. Enlevez tous les objets pouvant être projetés ou happés par l'accessoire à cultiver : cailloux, verre brisé, clous, fil ou ficelle.

AVERTISSEMENTS DE SÉCURITÉ SPÉCIAUX POUR
TÊTES D'ENTRAÎNEMENT À ESSENCE ET
CULTIVATEURS



AVERTISSEMENT: l'essence est extrêmement inflammable et ses vapeurs peuvent exploser si on y met le feu. Veuillez prendre les précautions suivantes.

- Ne stockez le carburant que dans des contenants conçus et homologués pour stocker ces matières.
- Arrêtez toujours le moteur et laissez-le refroidir avant de remplir le réservoir. N'enlevez jamais le bouchon du réservoir et n'ajoutez jamais de carburant alors que le moteur est chaud. Ne faites jamais marcher l'appareil sans que le bouchon soit bien mis. Desserrez celui-ci lentement afin de réduire la pression du réservoir.
- Mélangez et ajoutez le carburant dans un endroit aéré et propre, en plein air, à l'abri des étincelles ou des flammes. N'enlevez lentement le bouchon du réservoir d'essence qu'après avoir arrêté le moteur. Ne fumez pas pendant le remplissage ou le mélange de carburant. Essuyez immédiatement tout déversement.
- Évitez de mettre le feu au carburant déversé. Ne démarrez pas le moteur avant que les vapeurs de carburant ne se soient dissipées.
- Éloignez l'appareil d'au moins 9,1 m (30 pi) de la source et du site de ravitaillement en carburant avant de démarrer le moteur. Ne fumez pas et éloignez toute source d'étincelles ou de flammes vives du lieu de ravitaillement ou de fonctionnement de l'appareil.

CONSIGNES DE SÉCURITÉ

- Évitez de démarrer ou de faire marcher l'appareil à l'intérieur d'une pièce ou d'un bâtiment fermé. La respiration de fumées d'échappement peut tuer. Ne faites marcher l'appareil qu'à l'extérieur, dans un lieu aéré.

AVERTISSEMENTS DE SÉCURITÉ SPÉCIAUX POUR TÊTES D'ENTRAÎNEMENT ÉLECTRIQUES ET CULTIVATEURS



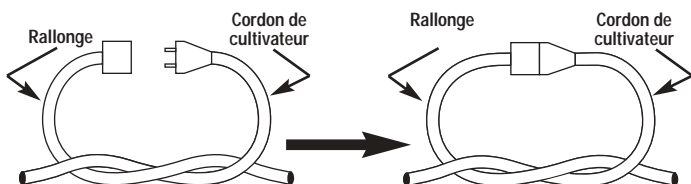
DANGER: respectez toujours les consignes de sécurité durant l'utilisation d'appareils de jardinage électriques afin de réduire les risques d'incendie, d'électrocution et de blessures. Prenez soin de bien lire et comprendre tout le manuel de l'utilisateur avant d'utiliser la souffleuse/aspirateur. Faites particulièrement attention au mode d'emploi et aux avertissements de sécurité.

- **CORDONS :** assurez-vous que votre cordon est en bon état et assez solide pour transporter le courant nécessaire à l'appareil. Il peut provoquer sinon une chute de tension entraînant une panne de courant et une surchauffe. Reportez-vous au calibre de cordon recommandé dans le manuel de l'utilisateur.



AVERTISSEMENT: Pour réduire le risque de choc électrique, utilisez uniquement des rallonges électriques approuvées pour une utilisation extérieure., comme par exemple les rallonges à cordons de type SW-A, SOW-A, STW-A, STOW-A, SJW-A, SJOW-A, SJTW-W ou SJTOW.

- Inspectez souvent les rallonges et la connexion d'alimentation. Relevez tout signe de détérioration, coupures ou fissures dans l'isolation. Vérifiez que les connexions ne sont ni endommagées ni défectueuses, et remplacez les cordons le cas échéant.
- Évitez que la tête d'entraînement du cultivateur ne se déconnecte de la rallonge en utilisant une sangle de fixation ou un connecteur de retenue de la fiche et de la prise, ou en faisant un nœud comme indiqué ci-dessous:



- Évitez les lieux dangereux. N'utilisez jamais l'appareil dans des conditions humides ou mouillées. L'humidité peut provoquer l'électrocution.
- N'utilisez pas l'appareil sous la pluie. Ne l'utilisez pas à proximité de l'eau.
- Ne manipulez pas la prise ou l'appareil les mains mouillées ou debout sur une surface mouillée.
- Ne laissez pas l'appareil branché quand il ne sert pas, pendant un entretien ou un changement d'accessoire.

PENDANT L'UTILISATION DE L'APPAREIL

- Tenez les visiteurs, surtout les enfants et les animaux ft familiers à une distance d'au moins 15 m (50 pi).

- Portez des lunettes de sécurité conformes aux normes ANSI Z87.1 ainsi que des protège-oreilles durant l'utilisation de l'appareil. Portez un masque facial ou antipoussières si vous travaillez dans un lieu poussiéreux.
- Portez des pantalons épais et longs, des bottes, des gants et une chemise à manches longues. Ne marchez pas pieds nus et évitez les vêtements lâches, bijoux, pantalons courts et sandales. Relevez les cheveux au-dessus des épaules.
- N'utilisez l'appareil qu'en plein jour ou avec un bon éclairage artificiel.
- Utilisez les outils appropriés. N'employez l'outil que pour son usage prévu.
- Ne forcez pas l'appareil. Il fonctionnera mieux et posera moins de risques de blessures à la vitesse pour laquelle il a été conçu.
- Soyez très prudent lorsque vous faites marche arrière ou que vous tirez l'appareil vers vous.
- Ne vous étirez pas et faites très attention lorsque vous travaillez sur des pentes ou inclinaisons abruptes. Tenez-vous toujours bien campé, en position d'équilibre.
- Tenez toujours l'appareil des deux mains lorsqu'il est en marche. Agrippez fermement les poignées avant et arrière.
- Gardez les mains, le visage et les pieds éloignés des pièces mobiles. Ne touchez pas les dents et n'essayez pas de les arrêter lorsqu'elles tournent. Ne faites pas fonctionner l'appareil sans les protections.
- La lame continue de tourner à vide une fois le moteur éteint et peut causer des blessures graves. Gardez le contrôle jusqu'à ce qu'elle soit immobilisée.
- Arrêtez toujours l'appareil si vous suspendez la coupe ou si vous vous déplacez d'un lieu de travail vers un autre.
- Arrêtez le moteur en cas d'entretien, de réparation, d'installation ou de retrait des dents. L'appareil et les dents doivent être arrêtés pour éviter toute blessure.
- Les dents deviennent très aiguisées à l'usage. Portez toujours des gants lorsque vous manipulez, retirez, installez ou nettoyez les dents.
- Si vous heurtez ou happez un corps étranger, arrêtez le moteur immédiatement et vérifiez que rien n'a été endommagé. Réparez tout dommage éventuel avant de poursuivre le travail.
- Arrêtez le moteur IMMÉDIATEMENT si vous ressentez une vibration excessive car cela indique un problème. Vérifiez qu'il n'y a ni écrous ni boulons desserrés, ni aucun - dommage avant de continuer. Réparez ou remplacez les pièces affectées au besoin.
- Arrêtez et éteignez l'appareil dans ces cas-ci : entretien, réparation, changement d'accessoires ou autres.
- Gardez l'appareil exempt d'accumulation de végétation ou autres matières. Celles-ci peuvent rester logées entre les dents, la boîte d'engrenages ou le protecteur.
- N'utilisez que des pièces de rechange et accessoires d'usine pour cet appareil. Ils sont disponibles auprès de votre concessionnaire agréé. L'utilisation de toutes pièces ou de tous accessoires non-autorisés peut entraîner des blessures graves ou des dommages à l'appareil et l'annulation de votre garantie.

CONSIGNES DE SÉCURITÉ

ENTRETIEN ET ENTREPOSAGE

- Laissez le moteur refroidir avant de l'entreposer ou de le transporter. Attachez bien l'appareil pendant le transport.
- Rangez l'appareil dans un endroit verrouillé et sec, ou élevé et sec, hors de portée des enfants, pour éviter une utilisation indésirable ou un accident.
- Nettoyez les dents en les arrosant d'eau avec un tuyau. Essuyez les dents avec une huile mécanique légère pour éviter la rouille.
- Ne trempez et n'arrosez jamais l'appareil avec de l'eau ou tout autre liquide. Gardez les poignées sèches, propres et exemptes de débris. Nettoyez après chaque usage. Voir les sections Nettoyage et Entreposage.
- Conservez ces instructions. Consultez-les souvent et servez-vous en pour instruire d'autres usagers. Si vous prêtez l'appareil à quelqu'un, prêtez-lui également ces instructions.
- Les réparations ou les procédures d'entretien qui ne sont pas décrites dans le manuel doivent être strictement confiées à des techniciens qualifiés.
- Vérifiez à intervalles fréquents que les boulons des forces à tondre et les boulons de montage du moteur et autres sont bien serrés afin de vous assurer que l'équipement fonctionne correctement.
- À l'intérieur d'un bâtiment, rangez l'appareil à l'écart des sources d'allumage. Laissez le moteur refroidir avant de l'entreposer dans une enceinte.
- Reportez-vous toujours aux importantes instructions du manuel de l'utilisateur si vous prévoyez d'entreposer le cultivateur pendant une durée prolongée.
- N'essayez pas de réparer l'appareil à moins de disposer des outils appropriés et des instructions de démontage et de réparation de la machine.

CONSERVEZ CES INSTRUCTIONS

SYMBOLES DE SÉCURITÉ ET INTERNATIONAUX

Ce manuel de l'utilisateur décrit les symboles et pictogrammes de sécurité et internationaux pouvant apparaître sur ce produit. Consultez le manuel de l'utilisateur pour les informations concernant la sécurité, le montage, le fonctionnement, l'entretien et les réparations.

SYMBOLE

SIGNIFICATION



• SYMBOLE ALERTE DE SÉCURITÉ

Indique un danger, un avertissement ou une mise en garde. Ce symbole peut être combiné à d'autres symboles ou pictogrammes.



• AVERTISSEMENT - LISEZ LE MANUEL DE L'UTILISATEUR

Lisez le manuel de l'utilisateur et suivez tous les avertissements et consignes de sécurité. Vous pourriez à défaut entraîner des blessures graves pour vous ou d'autres personnes.



• PORTEZ DES PROTECTIONS (YEUX ET OREILLES)

AVERTISSEMENT : les outils électriques peuvent projeter des objets et faire beaucoup de bruit, ce qui peut gravement blesser les yeux et endommager l'ouïe. Portez toujours des lunettes de sécurité conformes aux normes ANSI Z87.1 ainsi que des protège-oreilles durant l'utilisation de l'appareil. Protégez-vous le visage avec un masque intégral au besoin.



• ÉLOIGNEZ LES SPECTATEURS

AVERTISSEMENT : éloignez tout spectateur, les enfants et les animaux domestiques en particulier, d'au moins 15 m (50 pi) de la zone de coupe.



• LES OBJETS PROJÉTÉS PEUVENT PROVOQUER DES BLESSURES GRAVES

AVERTISSEMENT : ne faites pas fonctionner l'appareil sans les accessoires et protections nécessaires.



• CULTIVATEURS – LES DENTS ROTATIVES PEUVENT BLESSER GRIÈVEMENT

AVERTISSEMENT : Arrêtez le moteur et laissez les dents s'arrêter avant d'en installer ou en retirer, ou d'entreprendre un nettoyage ou entretien. Gardez les mains et les pieds éloignés des dents en rotation.

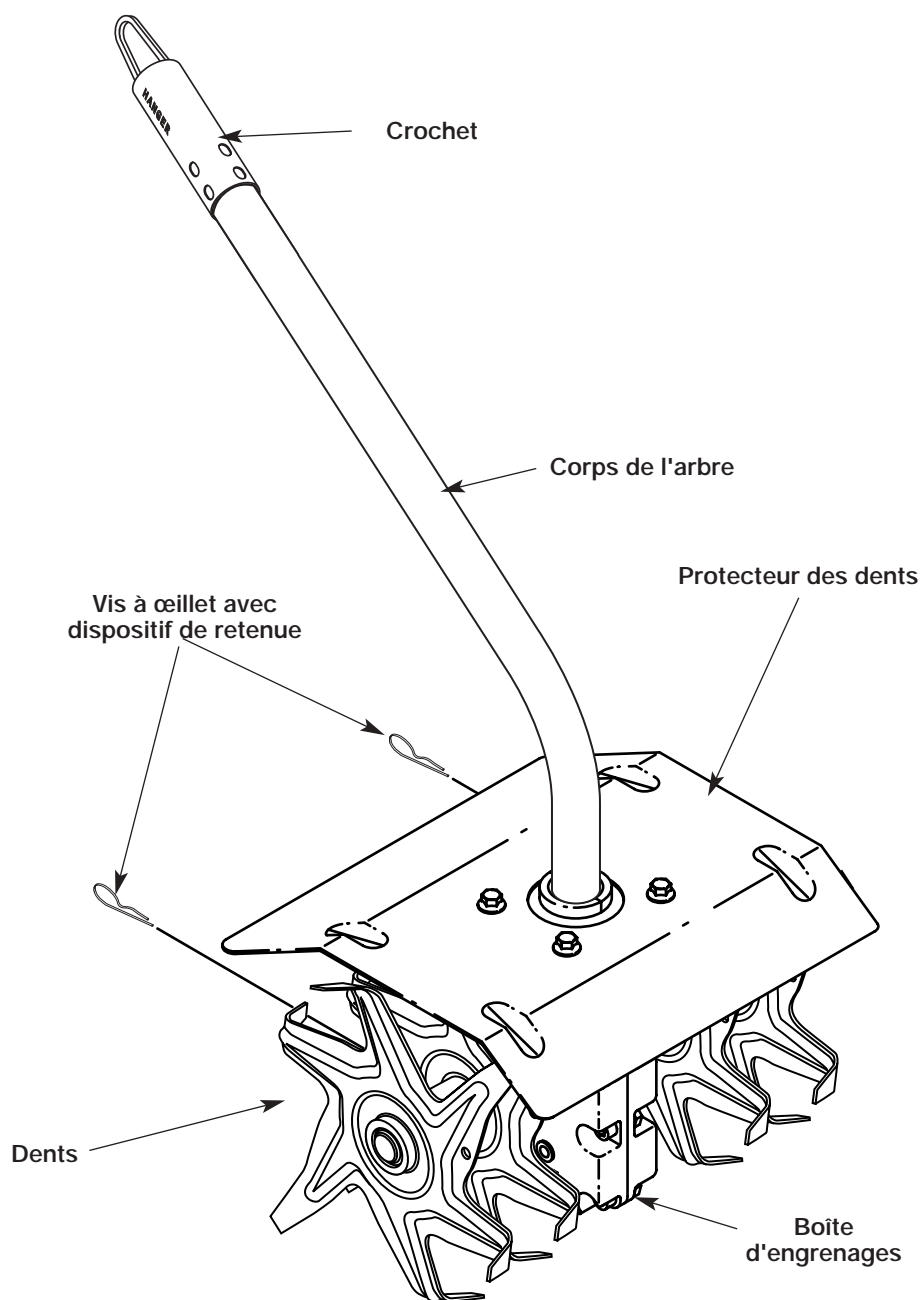
CONSIGNES DE SÉCURITÉ

FAMILIARISEZ-VOUS AVEC VOTRE APPAREIL

APPLICATIONS

Avec l'accessoire à cultiver :

- Sert à cultiver les sols à gazon et à texture légère. Peut aussi être utilisé pour cultiver dans les jardins, autour des arbres, etc.



MODE D'EMPLOI

MONTAGE DU COUPLEUR

Les accessoires Troy-Bilt suivants sont également disponibles pour votre appareil :

Cultivateur	TBGC
Edger	TBLE
Taille-haies	TBAH
Désherbeuse à arbre droit	TBSS
Turbosouffleuse	TBTB
Scie à long manche	TBPS



Retrait de l'accessoire

1. Dévissez le bouton vers la gauche (Fig. 1).
2. Appuyez sur le bouton de déclenchement et maintenez-le enfoncé (Fig. 1).
3. En tenant fermement le logement de l'arbre supérieur, retirez l'accessoire cultivateur de jardin du couplage (Fig. 2).



Installation de l'accessoire

REMARQUE : pour faciliter l'installation ou le retrait d'accessoires, placez l'appareil au sol ou sur un établi.

1. Enlevez le crochet de la partie supérieure du corps de l'arbre.
2. Dévissez le bouton vers la gauche (Fig. 1).
3. Tenez fermement l'accessoire et enfoncez-le tout droit dans le coupleur (Fig. 2).

REMARQUE : alignez le bouton de déclenchement avec le renforcement-guide pour faciliter l'installation (Fig. 1).

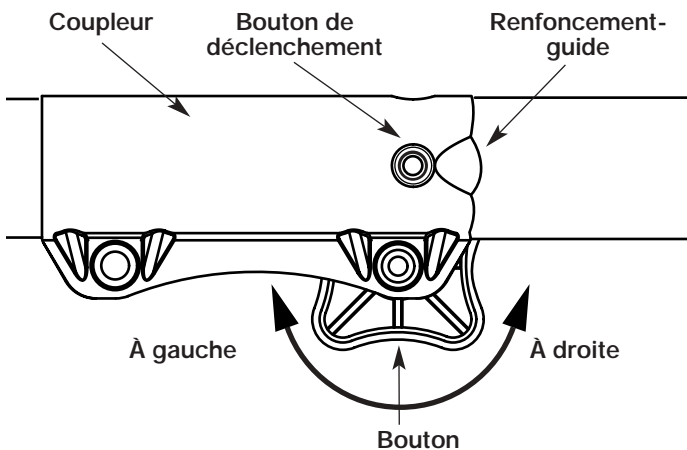


Fig. 1

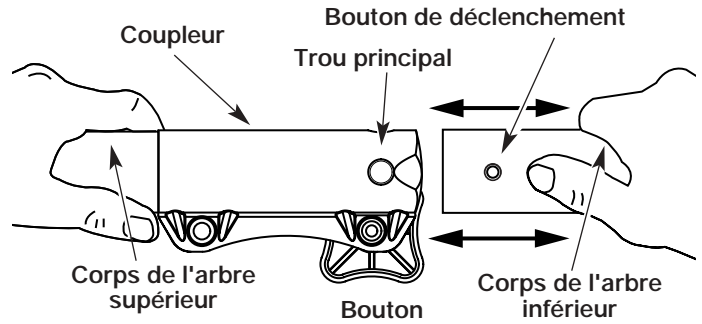


Fig. 2

4. Serrez le bouton en le tournant à droite (Fig. 3).

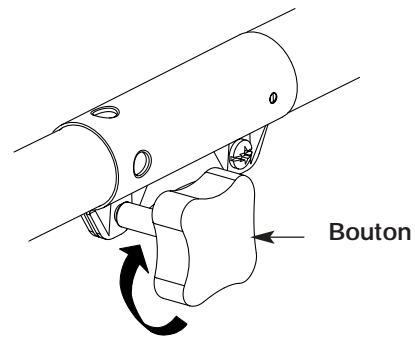


Fig. 3



L'accessoire à cultiver doit être installé avec le bouton de déclenchement dans le trou principal.

Vérifiez que le bras flexible est bien engagé avant l'utilisation

1. Démarrez l'appareil.
2. Appuyez brièvement sur la détente, puis relâchez-la.
3. Vérifiez le fonctionnement de l'accessoire.
4. S'il ne fonctionne pas, retirez-le et répétez la procédure d'installation.
5. Vérifiez de nouveau le fonctionnement de l'accessoire.

MODE D'EMPLOI

CONSEILS D'UTILISATION



AVERTISSEMENT: Portez des vêtements appropriés pour diminuer les risques de blessures durant l'utilisation de l'appareil. Ne portez pas de vêtements amples ni de bijoux. Portez des lunettes de sécurité et des protège-oreilles. Portez des pantalons épais et longs, des bottes et des gants. Ne marchez pas pieds nus et évitez les pantalons courts et les sandales.

1. Déplacez le cultivateur vers le lieu de travail avant de démarrer le moteur.
2. Démarrez l'appareil.
3. Pendant que le moteur tourne et que les dents ne touchent pas le sol, appuyez sur la manette des gaz pour augmenter le régime du moteur.
4. Tenez les prises de l'arbre et de la poignée fermement et abaissez lentement le cultivateur jusqu'à ce que les dents touchent le sol (Figs. 4 et 5).
5. Dès que vous commencez à cultiver, tirez l'appareil vers vous pour faire pénétrer les dents dans le sol.
6. Une fois le sol entamé, continuez le travail d'un rythme modéré jusqu'à ce que vous vous sentiez à l'aise avec les commandes et la manipulation du cultivateur.



AVERTISSEMENT: Pour éviter des blessures graves, faites très attention lorsque vous faites marche arrière ou que vous tirez l'appareil vers vous.

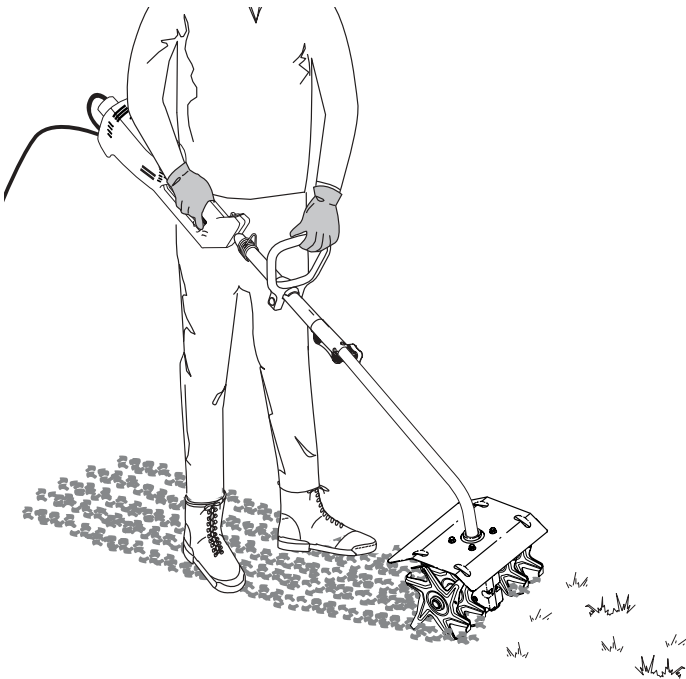


Fig. 4

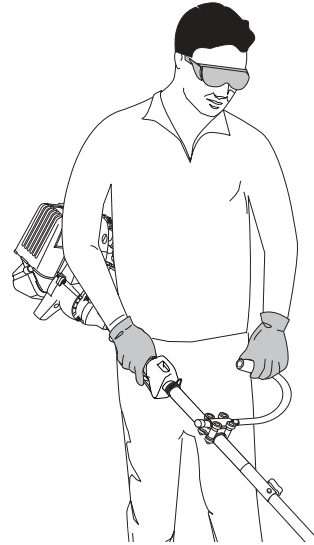


Fig. 5

RETRAIT ET REMPLACEMENT DES DENTS

Vous devez remplacer les 4 dents en même temps parce qu'elles s'usent de manière égale. Commencez par un côté à la fois.



AVERTISSEMENT: Pour éviter des blessures graves, portez toujours des gants épais lorsque vous manipulez les dents.

1. Mettez la commande Marche/Arrêt Stop en position ARRÊT (O). Positionnez et déconnectez le câble de la bougie.
2. Retirez les axes à épaulement et leurs fixations (Fig. 6).
3. Retirez les dents et les coussins en feutre de l'arbre.
4. Nettoyez et huilez l'arbre.
5. Les dents portent l'inscription " R " (droite) ou " L " (gauche) indiquant leur position de chaque côté de la boîte d'engrenages lorsqu'on fait face au devant de l'appareil.
6. Remplacez les dents et les coussins en feutre sur l'arbre, les moyeux des dents étant face à face.

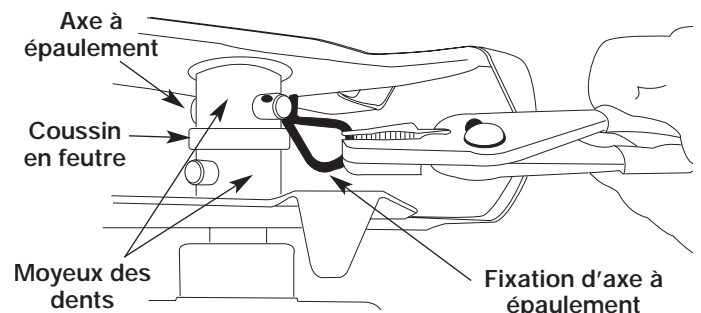


Fig. 6

ENTRETIEN ET RÉPARATIONS

7. Avant de réinstaller les vis à oeillets et les goupilles beta, assurez-vous que les pointes sur les dents soient bien espacées les unes des autres (Fig. 7).
8. Répétez la même procédure de l'autre côté.

REMARQUE : Lorsque les dents sont bien installées, les lettres " R " et " L " apparaissent de chaque côté de la boîte d'engrenages et les extrémités des dents sont alignées dans le même sens. Il est important d'installer correctement les dents.

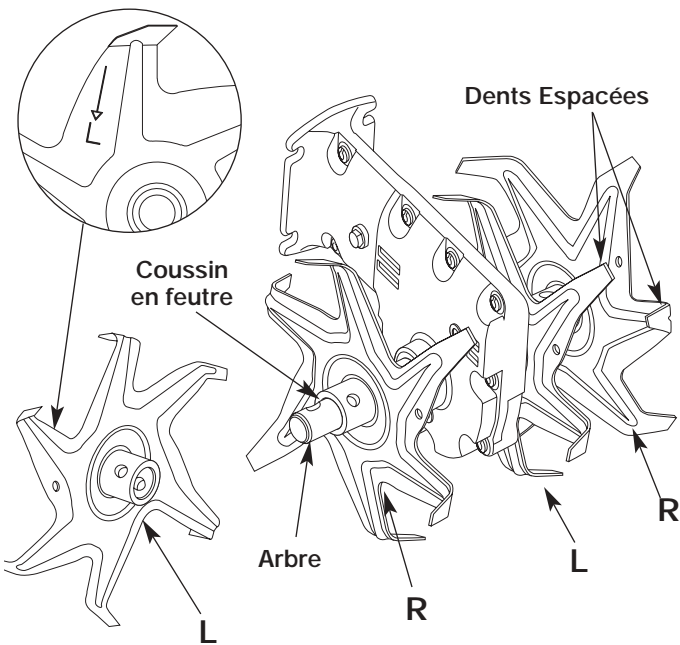


Fig. 7

ENTREPOSAGE

- Vérifiez l'appareil avant de le ranger pour vous assurer qu'il est en bon état de fonctionnement.
- Arrêtez le moteur.
- Rangez l'appareil à l'intérieur, dans un lieu sec et verrouillé, hors de portée des enfants.

Pour les unités à tête d'entraînement à gaz

- Laissez l'appareil se refroidir avant de l'entreposer dans une enceinte.
- Vidangez tout le carburant de l'appareil. Ne rangez jamais l'appareil avec du carburant dans le réservoir à l'intérieur d'un bâtiment où se trouvent des sources potentielles d'allumage tels que des radiateurs à eau chaude ou indépendants, des sècheuses, etc.

TRANSPORT

- Laissez le moteur se refroidir avant de l'entreposer.
- Attachez bien l'appareil lors du transport.

Pour les unités à tête d'entraînement à gaz

- Videz tout le carburant de l'appareil.
- Serrez le bouchon du réservoir avant le transport.

ACCESSOIRES/PIÈCES DE RECHANGE

Assemblée de dent (externe gauche et droit intérieur)	182729
Assemblée de dent (gauche intérieur et externe droit)	182730
Assemblage d'attache de dent	147473

N'utilisez que des pièces de rechange et accessoires d'usine pour cet appareil.

CARACTÉRISTIQUES

ACCESSOIRE À CULTIVER

Poids en fonctionnement de l'accessoire :	4,65 kg (10 lb)
Écartement ajustable des dents	de 15 à 26.04 cm (de 6 à 10,25 po)
Dents en acier	20,3 cm (8 po)

GARANTIE LIMITÉE DU FABRICANT POUR:



La garantie limitée énoncée ci-après est accordée par Troy-Bilt LLC et concerne les marchandises neuves achetées et utilisées aux États-Unis, ses possessions et territoires.

Troy-Bilt LLC garantit ce produit contre tout vice de matière ou de façon pendant une période de deux (2) ans à compter de la date d'achat initiale et elle se réserve le choix de réparer ou de remplacer, à titre gratuit, toute pièce présentant un vice de matière ou de façon. Cette garantie limitée ne s'appliquera que dans la mesure où le produit aura été utilisé et entreposé conformément au Manuel de l'utilisateur fourni avec le produit et n'aura pas fait l'objet d'un usage inadéquat, abusif, commercial ou négligent, d'un accident, d'un entretien inadéquat, d'une modification, de vandalisme, d'un vol, d'un incendie, de dégâts d'eau ou d'un endommagement résultant d'un autre péril ou d'un désastre naturel. Les dommages résultants de l'installation ou de l'utilisation de tout accessoire ou équipement non approuvé par Troy-Bilt pour une utilisation avec le(s) produit(s) couvert(s) par le présent manuel annuleront la garantie en ce qui concerne les dommages qui en résulteraient éventuellement. La présente garantie est limitée à quatre-vingt-dix (90) jours à compter de la date d'achat au détail initiale pour tout produit Troy-Bilt utilisé à des fins locatives ou commerciales, ou toute utilisation produisant des revenus.

POUR L'OBTENTION DU SERVICE DE GARANTIE : le service au titre de la garantie est disponible, SUR PRÉSENTATION D'UNE PREUVE D'ACHAT, AUPRÈS DU DISTRIBUTEUR AGRÉÉ LOCAL. Pour trouver un distributeur dans votre région, visitez notre site Web www.troybilt.com, consultez les Pages Jaunes, appelez le **1-800-520-5520** ou écrivez à l'adresse Troy-Bilt LLC, PO Box 361131, Cleveland, OH 44136-0019.

La garantie limitée n'offre aucune couverture dans les cas suivants :

- A. Mises au point : bougies, réglages de carburateur, filtres
- B. Éléments pouvant s'user : boutons de butée, bobines extérieures, fil de coupe, moulinets intérieurs, poulie du démarreur, cordons de démarrage, courroies d'entraînement
- C. Troy-Bilt LLC n'accorde aucune garantie pour les produits vendus ou exportés des États-Unis d'Amérique, de leurs possessions et territoires, exception faite en ce qui concerne les produits vendus par l'intermédiaire de ses canaux agréés de distribution à l'exportation.

Troy-Bilt LLC se réserve le droit de modifier ou d'améliorer la conception de ses produits sans pour autant assumer l'obligation de modifier tout produit d'une fabrication plus ancienne.

Aucune garantie implicite, y compris toute garantie de valeur marchande ou d'adaptation à une fin particulière, ne s'applique après la période applicable de garantie expresse écrite ci-dessus concernant les pièces qui sont identifiées. Aucune autre garantie ou caution expresse, écrite ou orale, à l'exception de celle mentionnée ci-dessus, accordée par toute personne ou entité, y compris tout distributeur ou détaillant, concernant tout produit n'engagera la responsabilité de Troy-Bilt LLC. Pendant la période de garantie, le recours exclusif est la réparation ou le remplacement du produit dans les conditions énoncées ci-dessus. (Certains états ne permettent pas la limitation de la garantie implicite, il est donc possible que la limitation ci-dessus ne s'applique pas à vous.)

Les clauses énoncées dans la présente Garantie constituent le recours unique et exclusif inhérent aux ventes. Troy-Bilt LLC ne sera en aucun cas tenue pour responsable de tout dommage indirect ou consécutif ou de dommages comprenant, entre autres, les dépenses encourues du fait du recours à des services de remplacement ou de substitution pour l'entretien des pelouses, le transport ou des frais connexes, ou les frais entraînés par une location destinée à remplacer provisoirement un produit sous garantie. (Certains états ne permettent pas la limitation de la garantie implicite, il est donc possible que la limitation ci-dessus ne s'applique pas à vous.)

Aucun recouvrement, quel qu'il soit, ne sera d'un montant supérieur au prix du produit vendu. Toute modification des dispositifs de sécurité du produit annulera la présente Garantie. Vous assumez tout risque et toute responsabilité résultant de la perte, de l'endommagement ou du préjudice que vous et votre propriété et/ou d'autres et leur propriété pourront encourir d'un fait de l'utilisation normale, de la mauvaise utilisation ou de l'incapacité d'utiliser le produit.

La présente garantie limitée n'est accordée qu'à l'acheteur initial, au preneur initial ou à la personne à laquelle le produit a été offert.

Le Droit des États vis à vis de la présente garantie : la présente garantie vous confère certains droits juridiques et vous pouvez bénéficier d'autres droits lesquels varient d'un état à l'autre.

Pour obtenir l'adresse du distributeur réparateur le plus proche, composez le : **1-800-520-5520**.

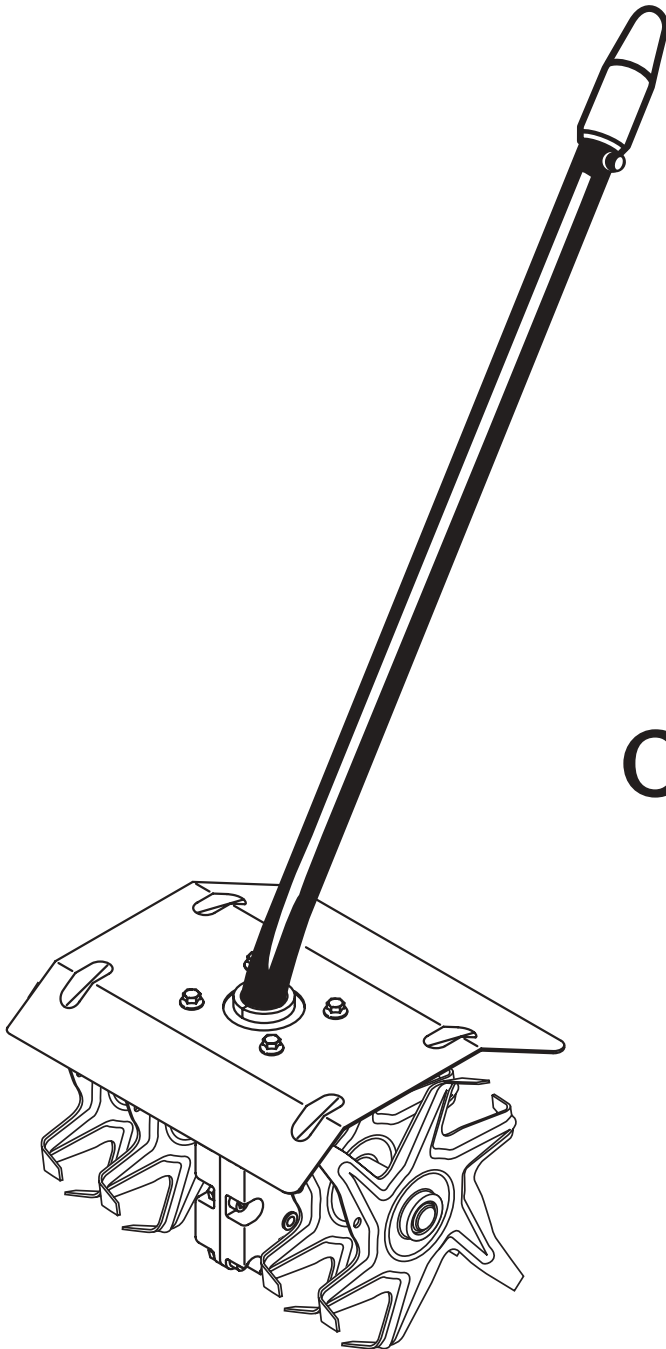
Troy-Bilt LLC

PO Box 361131

Cleveland, OH 44136-0019



Manual Del Operador



Cultivador TBGC



IMPORTANTE: LEA LAS REGLAS DE SEGURIDAD E INSTRUCCIONES DETENIDAMENTE

P/N 769-00485 (9/02)

INTRODUCCION

MUCHAS GRACIAS

Gracias por haber adquirido este gran producto. Esta moderna herramienta motriz de exteriores está diseñada para brindarle muchas horas de servicio útil. Usted comprobará que es un artefacto que le ahorrará mucho trabajo. Este manual del operador le brinda instrucciones de operación de fácil comprensión. Lea todo el manual y siga todas las instrucciones para mantener su nueva herramienta motriz de exteriores en las mejores condiciones de funcionamiento.

REFERENCIAS, ILUSTRACIONES Y ESPECIFICACIONES DEL PRODUCTO

Toda la información, las ilustraciones y las especificaciones contenidas en este manual se basan en la información más reciente disponible en el momento de impresión del manual. Nos reservamos el derecho de hacer cambios en cualquier momento sin aviso previo.

Copyright© 2003 MTD SOUTHWEST INC. Todos los derechos reservados.

INFORMACION DEL SERVICIO

El servicio de esta unidad, ya sea durante o después del período cubierto por la garantía, debe ser realizado solamente por un proveedor de servicios autorizado y aprobado.

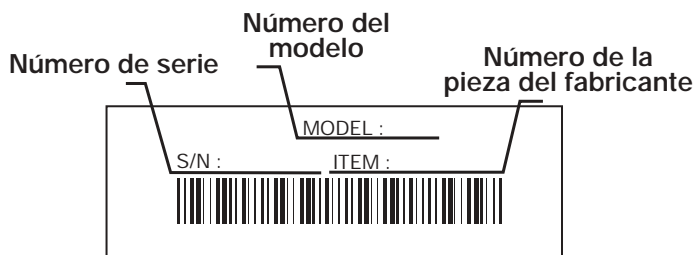
El servicio de esta unidad, ya sea durante o después del período cubierto por la garantía, debe ser realizado solamente por un proveedor de servicios autorizado y aprobado. Llame **1-800-520-5520** para obtener una lista de distribuidores de servicio localizados cerca de usted. Para obtener más detalles sobre su unidad, visite nuestro sitio en www.troybilt.com.

NO REGRESE SU UNIDAD AL VENDEDOR. PARA SOLICITAR SERVICIO POR LA GARANTIA, DEBERA PRESENTAR PRUEBA DE SU COMPRA.

INDICE DE CONTENIDOS

Llamadas a apoyo al cliente	2
Normas para una operación segura	3
Conozca su unidad	7
Instrucciones de operación	8
Instrucciones de mantenimiento y reparación	9
Cuadro de solución de problemas	10
Especificaciones	10
Garantía	12
Lista de Piezas	Contraportada

Antes de que empiece a ensamblar su nuevo equipo, por favor ubique la placa que contiene el modelo de la unidad y escriba esa información en el espacio en blanco aquí debajo. Aquí debajo se explica la muestra de una placa del modelo.



Copie el número del modelo/
pieza del fabricante aquí: _____

Copie el número
de serie aquí: _____

Antes de arrancar u operar este equipo, asegúrese de leer y comprender bien este manual.

ESTE PRODUCTO ESTA CUBIERTO POR UNA O MAS PATENTES DE EE.UU., OTRAS PATENTES EN TRAMITE.

NORMAS PARA UNA OPERACION SEGURA

Los símbolos de seguridad se utilizan para llamar su atención sobre posibles peligros. Los símbolos de seguridad y sus explicaciones merecen toda su atención y comprensión. Los símbolos de seguridad no eliminan ningún peligro por sí mismos. Las instrucciones o advertencias que ofrecen no substituyen las medidas adecuadas de prevención de accidentes.

SIMBOLO	SIGNIFICADO
---------	-------------



ALERTA DE SEGURIDAD:

Indica peligro, advertencia o precaución. Debe prestar atención para evitar sufrir graves lesiones personales. Puede ser utilizado junto con otros símbolos o figuras.

NOTA: Le ofrece información o instrucciones que son esenciales para la operación o mantenimiento del equipo.

Lea el manual del operador y siga todas las advertencias e instrucciones de seguridad. De no hacerlo, el operador y/o los espectadores pueden sufrir graves lesiones.

SI TIENE PREGUNTAS, LLAME AL
1-800-520-5520

SIMBOLO	SIGNIFICADO
---------	-------------



PELIGRO: El no obedecer una advertencia de seguridad puede conducir a que usted u otras personas sufran graves lesiones. Siga siempre las precauciones de seguridad para reducir el riesgo de incendio, descarga eléctrica y lesiones personales.



ADVERTENCIA: El no seguir una advertencia de seguridad puede conducir a que usted u otras personas sufran lesiones. Siga siempre las precauciones de seguridad para reducir el riesgo de incendio, descarga eléctrica y lesiones personales.



PRECAUCION: El no seguir una advertencia de seguridad puede conducir a daño patrimonial o a que usted u otras personas sufran lesiones personales. Siga siempre las precauciones de seguridad para reducir el riesgo de incendio, descarga eléctrica y lesiones personales.

• IMPORTANTE INFORMACION DE SEGURIDAD •

LEA TODAS LAS INSTRUCCIONES

ANTES DE LA OPERACIÓN



ADVERTENCIA: Se debe seguir las siguientes reglas de seguridad cuando use la unidad. Por favor lea estas instrucciones para su propia seguridad y las de los espectadores, antes de hacer funcionar la unidad. Por favor mantenga estas instrucciones en un lugar seguro para uso futuro.

- Lea cuidadosamente y entienda el manual del operador de la unidad que impulsa a este acople.
- Lea este manual de instrucciones de funcionamiento detenidamente. Familiarícese completamente con los controles y el uso apropiado del equipo. Sepa cómo apagar la unidad y desactivar los controles con rapidez.
- No opere esta unidad si está cansado, enfermo, o bajo los efectos del alcohol, drogas o medicamentos.
- Nunca permita que los niños manejen el equipo. Nunca permita que los adultos usen la unidad cuando no estén familiarizados con las instrucciones. Nunca permita que las personas adultas manejen el equipo si no cuentan con las instrucciones apropiadas.
- Se debe instalar adecuadamente todos los protectores y dispositivos de seguridad antes de hacer funcionar la unidad.

- Inspeccione la unidad antes de usarla. Compruebe que los dientes estén instalados correctamente y que estén seguros.
- Despeje el área que va a cultivar antes de cada uso. Quite todos los objetos tales como piedras, vidrios quebrados, clavos, alambre o cuerdas que puedan ser lanzados o que se puedan enredar en el aditamento del cultivador.

ADVERTENCIAS DE SEGURIDAD ESPECIALES PARA LAS UNIDADES MOTRICES Y CULTIVADOR A GAS



ADVERTENCIA: La gasolina es muy inflamable y sus gases pueden explotar si se encienden. Tome las siguientes precauciones:

- Guarde el combustible únicamente en recipientes designados especialmente y aprobados para el almacenamiento de dichos materiales.
- Apague siempre el motor y espere que se enfríe antes de llenar el tanque de combustible. Nunca quite la tapa del tanque de combustible ni abastezca combustible mientras la unidad esté caliente. No opere nunca esta unidad sin la tapa del combustible bien apretada en su lugar. Afloje la tapa del tanque de combustible lentamente para desahogar la presión del tanque.
- Mezcle y abastezca el combustible en un área limpia, bien ventilada en exteriores donde no haya chispas ni llamas. Quite la tapa del combustible lentamente sólo después de parar el motor. No fume mientras abastece ni mientras mezcla el combustible. Seque todo el combustible que se derrame de la unidad de inmediato.

NORMAS PARA UNA OPERACIÓN SEGURA

- Evite crear una fuente de encendido con el combustible derramado. No arranque el motor hasta que los gases se hayan disipado.
- Mueva la unidad a por lo menos 30 pies (9.1 m) de distancia de la fuente y punto de abastecimiento de combustible antes de arrancar el motor. No fume, mantenga las chispas y llamas fuera del área mientras carga o el combustible o mientras opera la unidad.
- Nunca arranque ni opere la unidad dentro de una sala o edificio cerrado. La respiración de los gases del escape pueden ser letales. Opere esta unidad únicamente en un área exterior bien ventilada.

ADVERTENCIAS DE SEGURIDAD ESPECIALES PARA LAS UNIDADES MOTRICES Y CULTIVADOR DE CESPED ELECTRICOS



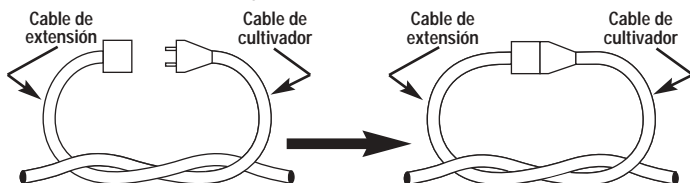
ADVERTENCIA: Cuando use artefactos eléctricos de jardinería, siempre debe tomar precauciones básicas de seguridad para reducir el riesgo de incendio, de descarga eléctrica y de lesiones personales. Lea con cuidado y comprenda todo el manual del operador antes de usar su soplador / aspirador. Preste mucha atención a las instrucciones de operación y a las advertencias de seguridad.

- **JUEGOS DE CABLES:** Verifique que su juego de cable esté en buenas condiciones. Cuando use un juego de cables, verifique que el cable que usa es lo suficientemente grueso para conducir la corriente que consumirá la unidad. Un juego de cables de menor calibre puede causar una caída de voltaje en la línea y ocasionar la pérdida de energía y recalentamiento. Lea el manual del operador de la unidad motriz de este accesorio para informarse acerca del tamaño recomendado de cable.



ADVERTENCIA: Para reducir el riesgo de choque eléctrico, utilice únicamente cables de extensión aprobados para uso al aire libre, por ejemplo un cable tipo SW-A, SOW-A, STW-A, STOW-A, SJW-A, SJOW-A, SJTW-W, o SJTOW-A.

- Inspeccione todos los cables de extensión y la conexión eléctrica de la unidad con frecuencia. Observe en detalle si existe deterioro, cortes o grietas en el aislamiento. Inspeccione también si existen daños en las conexiones. Cambie los cables si encuentra algún defecto o daño.
- Evite la desconexión del cabezal motorizado del cultivador del cable de extensión durante el funcionamiento, utilizando un retenedor de enchufe-receptáculo, conector o haciendo un nudo como se muestra aquí debajo:



- Evite los ambientes peligrosos. No opere nunca su unidad en ambientes húmedos ni mojados. La humedad representa un peligro de descarga eléctrica.
- No use la unidad bajo la lluvia. No la use dentro del agua ni alrededor de ella.
- No toque el enchufe ni la unidad con las manos mojadas ni parado sobre superficies mojadas.
- No deje la unidad enchufada mientras no la use, mientras cambia accesorios ni mientras realiza el servicio.

DURANTE LA OPERACIÓN

- Mantenga retirados a los espectadores, especialmente a los niños y animales domésticos por lo menos a 50 ft (15 m) de distancia.
- Use lentes o gafas de protección que cumplan con las normas ANSI Z87.1, y protección para sus oídos/audición mientras opere esta unidad. Use siempre una máscara facial o para protegerse contra el polvo si la operación levanta polvo.
- Use pantalones largos y gruesos, botas, guantes y camisa de manga larga. No use ropa holgada, alhajas, pantalones cortos, sandalias ni esté descalzo. Sostenga el cabello sobre el nivel de los hombros.
- Use la unidad sólo con luz diurna o con buena luz artificial.
- Use la herramienta correcta. Use esta herramienta sólo para el trabajo para el que fue diseñada.
- No fuerce la unidad. Hará mejor el trabajo y con menos probabilidad de lesión bajo la tasa de funcionamiento que fue diseñada.
- Tenga mucho cuidado cuando retroceda o cuando hale la unidad hacia usted.
- No se estire demasiado, tenga cuidado adicional cuando trabaje en pendientes o inclinaciones. Mantenga siempre una posición y equilibrio adecuados.
- Sostenga siempre la unidad con ambas manos durante la operación. Agarre firmemente ambas manijas o mangos anteriores y posteriores.
- Mantenga las manos, cara y pies lejos de todas las piezas que se muevan. No toque ni intente detener los dientes cuando estén girando. No la haga funcionar sin los protectores puestos en su lugar.
- No opere la unidad a una velocidad mayor que la necesaria para recortar bordes. No opere la unidad a alta velocidad cuando no esté recortando bordes.
- Pare siempre la unidad cuando posponga el trabajo o mientras camine entre diferentes zonas de corte.
- Detenga el motor para hacerle mantenimiento, reparaciones, para instalar o quitar los dientes. Debe detener la unidad y los dientes deben dejar de voltear para que evite lesiones.
- Los dientes se vuelven bastante filosos con el uso. Póngase guantes gruesos en todo momento cuando manipule, quite, instale o limpie los dientes.

NORMAS PARA UNA OPERACIÓN SEGURA

- Si golpea o se enreda con algún objeto extraño, pare el motor de inmediato e inspeccione si hay daños. Haga arreglar cualquier daño antes de intentar el funcionamiento posterior.
- Pare la unidad DE INMEDIATO si siente una vibración excesiva. La vibración es señal de que hay problemas. Inspeccione bien si hay tuercas o pernos flojos o daño antes de continuar. Repare o cambie las piezas afectadas según sea necesario.
- Pare y apague la unidad para hacerle mantenimiento, reparación o para cambie accesorios.
- Mantenga la unidad libre de vegetación y otros materiales. Esas cosas se pueden incrustar entre los dientes y la caja de engranajes o el protector.
- Use sólo piezas y accesorios de repuesto genuinos de fábrica para esta unidad. Puede obtenerlos en su proveedor de servicio autorizado. El uso de piezas o accesorios no autorizados puede causar lesiones graves al usuario o daño a la unidad, y la cancelación de su garantía.
- Nunca moje ni rocíe la unidad con agua ni con ningún otro líquido. Mantenga las manijas secas, limpias y sin residuos. Limpie la unidad luego de cada uso, lea las instrucciones de Limpieza y Almacenamiento.
- Guarde estas instrucciones. Consúltelas con frecuencia y utilícelas para enseñar a otros usuarios. Si le presta esta unidad a alguien, préstele también estas instrucciones.
- Cualquier reparación o procedimientos de mantenimiento que no estén descritos en este manual deben ser hechos únicamente por personal calificado.
- Compruebe frecuentemente el apriete de los pernos de la cizalla, de montaje del motor y otros pernos para que tenga la seguridad de que el equipo esté en buen estado de funcionamiento.
- Cuando guarde la unidad dentro de un edificio, aléjela de fuentes de encendido. Permita que el motor se enfríe antes de guardarla en cualquier caja protectora.
- Consulte las instrucciones del Manual del Operario en todo momento para que se informe sobre detalles importantes, si va a guardar la unidad durante un período de tiempo prolongado.
- No intente arreglar la máquina a menos que tenga las herramientas apropiadas y las instrucciones para desensamblarla y arreglarla.

MANTENIMIENTO Y ALMACENAJE

- Espere que el motor se enfríe antes de guardar o transportar la unidad. Asegúrese de que la unidad esté segura al transportarla.
- Guarde la unidad bajo llave en un lugar adecuado y seco para evitar el uso por personas no autorizadas y daños, lejos del alcance de los niños.
- Lave los dientes con el agua de la manguera. Limpie los dientes con aceite suave para máquinas, para que evite la oxidación.

**GUARDE ESTAS
INSTRUCCIONES**

NORMAS PARA UNA OPERACIÓN SEGURA

SÍMBOLOS DE SEGURIDAD E INTERNACIONALES

Este manual del operador describe los símbolos y figuras de seguridad e internacionales que pueden aparecer en este producto. Lea el manual del operador para obtener información completa acerca de la seguridad, ensamble, operación y mantenimiento y reparación.

SÍMBOLO

SIGNIFICADO



• SÍMBOLO DE ALERTA DE SEGURIDAD

Indica peligro, advertencia o precaución. Puede ser utilizado junto con otros símbolos o figuras.



• ADVERTENCIA - LEA EL MANUAL DEL OPERADOR

Lea el manual del operador y siga todas las advertencias e instrucciones de seguridad. De no hacerlo, el operador y/o los espectadores pueden sufrir lesiones graves.



• USE PROTECCIÓN OCULAR Y AUDITIVA

ADVERTENCIA: La operación de cualquier herramienta electromecánica puede ser el origen del lanzamiento de objetos y ruidos elevados que pueden causar lesiones oculares graves y pérdida auditiva. Use siempre gafas de seguridad o protección visual que cumplan con las normas ANSI Z87.1 y protección auditiva, cuando maneje esta unidad. Use una careta completa cuando la necesite.



• MANTENGA ALEJADOS A LOS ESPECTADORES

ADVERTENCIA: Mantenga a todos los espectadores, en especial a los niños y animales domésticos a por lo menos 50 pies (15 m) del área de corte.



• LOS OBJETOS DESPEDIDOS Y LA CUCHILLA ROTATIVA CAUSAN LESIONES GRAVES

ADVERTENCIA: No opere esta unidad si la protección plástica de la línea no está puesta en su lugar. Manténgase lejos del accesorio de corte giratorio



• CULTIVADORES PARA JARDINES – LAS PÚAS GIRATORIAS PUEDEN CAUSAR GRAVES LESIONES

ADVERTENCIA: Apague el motor y espere que las púas se detengan antes de instalar o quitar los dientes, o antes de hacer la limpieza o cualquier tipo de mantenimiento. Mantenga las manos y los pies lejos de los dientes giratorios.

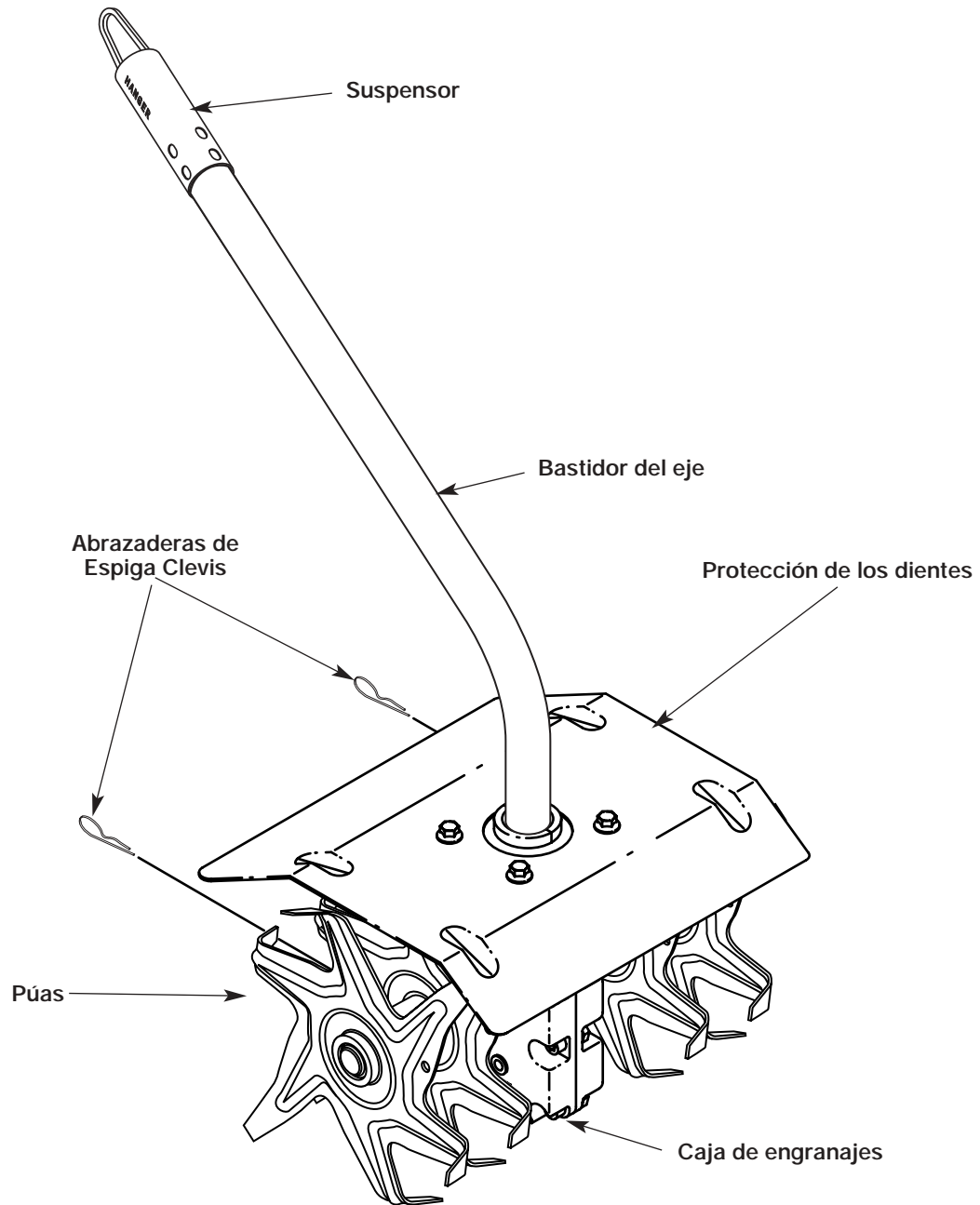
NORMAS PARA UNA OPERACIÓN SEGURA

CONOZCA SU UNIDAD

APLICACIONES

Con accesorio cultivador:

- Cultivo de césped y tierra liviana. También para cultivar áreas del jardín, alrededor de árboles, etc.



INSTRUCCIONES DE OPERACIÓN

ENSAMBLAJE DEL ACOPLADOR

Los siguientes accesorios Troy-Bilt también están disponibles para su unidad:

Cultivador	TBGC
Edger	TBLE
Recortador de setos	TBAH
Recortador de eje recto	TBSS
Turbosoplador	TBTB
Sierra de poste	TBPS



ADVERTENCIA: Lea y comprenda el manual del operador de los accesorios antes de su operación.

Remoción del accesorio:

1. Para aflojarlo, gire el botón en el sentido opuesto al de las manecillas del reloj (Fig. 1).
2. Oprima y sostenga oprimido el botón de liberación (Fig. 1).
3. Mientras sostiene con firmeza el bastidor del eje superior, tire del accesorio de cultivador de jardín hacia afuera del acoplador (Fig. 2).



ADVERTENCIA: Para evitar graves lesiones personales, apague la unidad antes de sacar o instalar accesorios.

Instalación del accesorio:

NOTA: Para facilitar la instalación o remoción de los accesorios, ponga la unidad sobre el suelo o sobre un banco de trabajo.

1. Quite el colgador de encima de la cubierta del eje.
2. Apriete el botón girándolo hacia la derecha (Fig. 1).
3. Mientras sostiene el accesorio con firmeza, empújelo en línea recta en el acoplador (Fig. 2).

NOTA: La alineación del botón de desconexión con la guía ayuda en la instalación (Fig. 1).

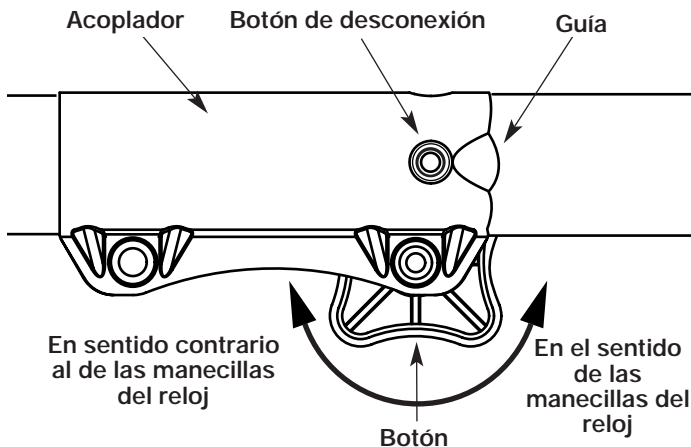


Fig. 1

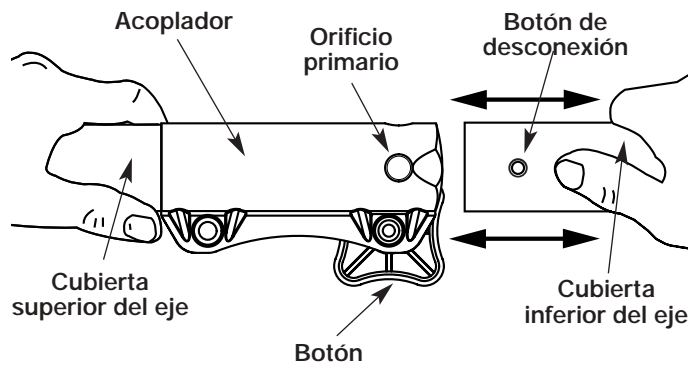


Fig. 2

4. Apriete el botón girándolo hacia la derecha (Fig. 3).



PRECAUCION: Trabe el botón de desconexión en el orificio primario y ajuste bien la perilla antes de operar esta unidad.

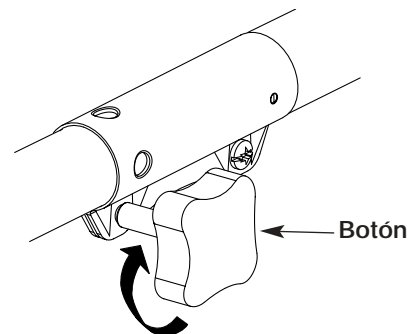



Fig. 3



PRECAUCION: El accesorio de corte y los accesorios con el sistema EZ-Link™ deben ser usados en el orificio primario a menos que se indique lo contrario en el manual del operador del accesorio. El usar el orificio incorrecto puede conducir a lesiones personales o daño de la unidad.

El accesorio cultivador deberá instalarse con el botón de desconexión en el **orificio primario**.

Inspeccione el acoplamiento del eje acodado antes de usar la unidad

1. Arranque la unidad.
2. Enganche y suelte el gatillo brevemente.
3. Verifique que el accesorio esté funcionando.
4. Si el accesorio no está funcionando, retire el accesorio y repita los pasos para su instalación.
5. Vuelva a verificar el funcionamiento del accesorio.

INSTRUCCIONES DE OPERACIÓN

SUGERENCIAS DE OPERACIÓN



ADVERTENCIA: Vista en forma adecuada para reducir el riesgo de lesiones cuando opere esta unidad. No use ropa holgada ni alhajas. Use protección ocular y auditiva. Use pantalones largos y gruesos, botas y guantes. No use pantalones cortos, sandalias ni trabaje descalzo.

1. Mueva el cultivador al área de trabajo antes de hacer arrancar el motor.
2. Arranque la unidad.
3. Con el motor en funcionamiento y los dientes lejos del suelo, apriete el control del regulador para aumentar la velocidad del motor.
4. Sujete el eje y la manija con firmeza, baje lentamente el cultivador hasta que los dientes entren en contacto con el suelo (Figs. 4 y 5).
5. Cuando comience la acción del cultivador, tire el cultivador hacia atrás para que los dientes puedan penetrar el suelo.
6. Una vez que afloje el suelo, continúe a una velocidad moderada hasta que se familiarice con los controles y el manejo del cultivador.



ADVERTENCIA: Para evitar graves lesiones personales, tenga mucho cuidado cuando invierta o gire la unidad hacia usted.



Fig. 4



Fig. 5

REMOCION Y REPOSICION DE LAS PUAS

Las 4 púas deben cambiarse al mismo tiempo debido a que se desgastarán en forma pareja con el uso normal. Trabaje en un lado por vez.



ADVERTENCIA: Para evitar graves lesiones personales, use siempre guantes gruesos cuando maneje las púas.

1. Coloque el control de encendido y apagado en la posición de **APAGADO (O)** y desconecte el cable de la bujía de encendido.
2. Saque las presillas del pasador de la horquilla y los pasadores de la horquilla (Fig. 6).
3. Saque las púas y los cojines de fieltro del eje.
4. Limpie y aceite el eje.
5. Las púas llevan la letra "R" o "L" para identificar su posición a cada lado de la caja de engranajes cuando miran hacia la parte anterior de la unidad.
6. Cambie las púas y los cojines de fieltro sobre el eje con los centros de las púas enfrentados entre sí.

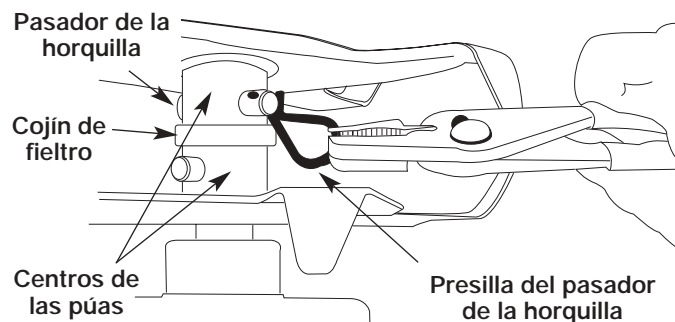


Fig. 6

INSTRUCCIONES DE MANTENIMIENTO Y REPARACIÓN

7. Antes de volver a instalar los pasadores de horquilla y las presillas de los pasadores, asegúrese de que las puntas de los dientes estén escalonadas cuando se comparan entre sí (Fig. 7).

8. Repita este procedimiento en el lado opuesto.

NOTA: Cuando se instala en forma correcta, habrá una púa "R" y una púa "L" a cada lado de la caja de engranajes, y las puntas de las púas se alinean en la misma dirección. Es importante que las púas se instalen en forma correcta.

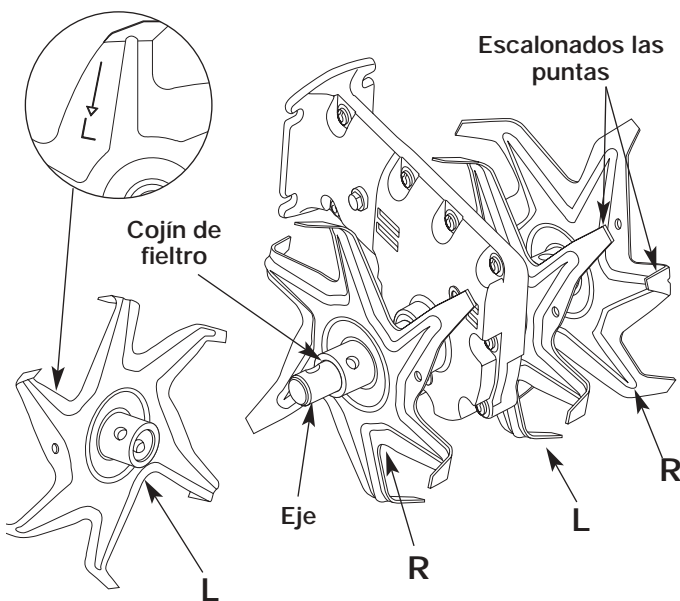


Fig. 7

ALMACENAMIENTO

- Examine la unidad antes de que la guarde para que compruebe que el equipo se encuentre en buen estado de funcionamiento.
- Pare el motor.
- Guarde la unidad bajo techo en un lugar seco y asegurado, lejos del alcance de los niños.

Para unidades a gasolina

- Permita que la unidad se enfríe antes de guardarla en cualquier lugar encerrado.
- Vacíe el combustible de la unidad. Nunca guarde la unidad con combustible dentro del tanque en un edificio en donde haya presentes fuentes de ignición tales como calentadores portátiles, secadoras de ropa, etc.

TRANSPORTE

- Espere que el motor se enfríe antes de transportarla.
- Asegure la unidad durante su transporte.

Para unidades a gasolina

- Drene el combustible de la unidad.
- Apriete la tapa del combustible antes del transporte.

ACCESORIOS / PIEZAS DE REPUESTO

Asamblea del diente (Izquierdo externo y derecho interno)	182729
Asamblea del diente (Izquierdo interno y derecho externo)	182730
Ensamblaje del sujetador del diente	147473

Use sólo piezas y accesorios de repuesto genuinos de fábrica para esta unidad.

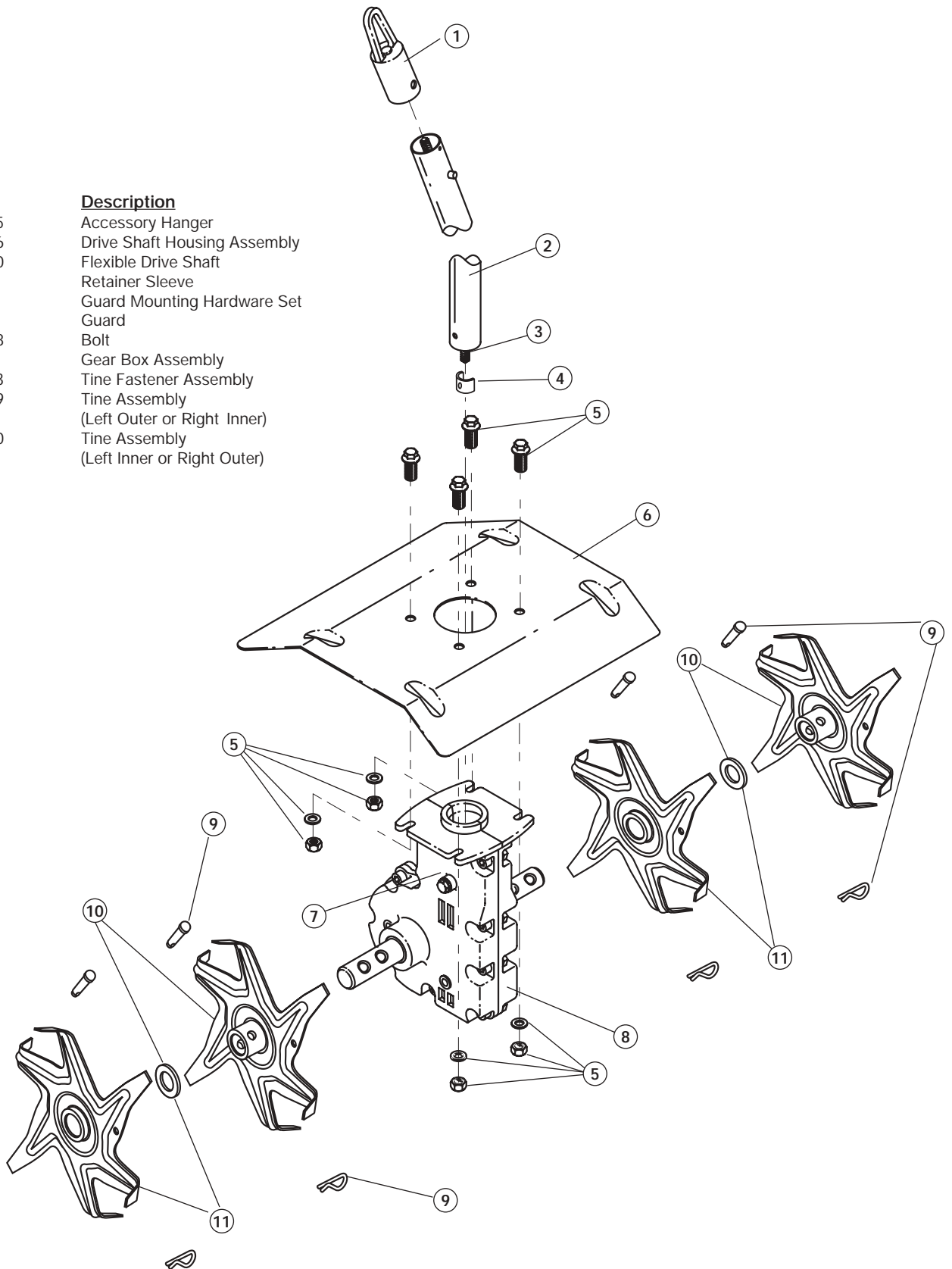
ESPECIFICACIONES

ACCESORIO CULTIVADOR

Peso de operación del accesorio:	10 libras (4.65 kg.)
Ancho ajustable de los dientes	6 pulgadas a 10.25 pulgadas
Dientes de acero	8 pulgadas

REPLACEMENT PARTS – MODEL TBGC GARDEN CULTIVATOR ADD-ON

Item	Part No.	Description
1	791-612605	Accessory Hanger
2	791-180916	Drive Shaft Housing Assembly
3	791-613300	Flexible Drive Shaft
4	753-04078	Retainer Sleeve
5	753-04266	Guard Mounting Hardware Set
6	753-1216	Guard
7	791-180288	Bolt
8	753-04489	Gear Box Assembly
9	791-147473	Tine Fastener Assembly
10	791-182729	Tine Assembly (Left Outer or Right Inner)
11	791-182730	Tine Assembly (Left Inner or Right Outer)



GARANTÍA LIMITADA DEL FABRICANTE PARA:



Troy-Bilt LLC concede la garantía limitada establecida debajo para mercancías nuevas que sean compradas y usadas en los Estados Unidos, sus posesiones y territorios.

Troy-Bilt LLC garantiza este producto contra defectos en el material y la mano de obra durante un periodo de dos (2) años, a partir de la fecha de compra original y a su entera discreción, arreglará o substituirá sin costo alguno cualquier pieza cuyo material o mano de obra se considere defectuoso. Esta garantía limitada se deberá aplicar únicamente si este producto ha sido manejado y mantenido de acuerdo al Manual del Operario incluido con el producto y, si no ha sido sometido a mal uso, abuso, uso comercial, negligencia, accidente, mantenimiento inapropiado, alteración, vandalismo, hurto, fuego, agua o daños debidos a otros riesgos o desastre natural. Los daños ocasionados por la instalación o el uso de cualquier accesorio o aditamento que no esté aprobado por Troy-Bilt y que sea usado con el (los) producto(s) contemplados en este manual, anularán la garantía con respecto a cualquier daño resultante. Esta garantía está limitada a noventa (90) días a partir de la fecha de compra original al detalle de cualquier producto Troy-Bilt que se use para alquiler, para propósitos comerciales o cualquier otro propósito que genere ingresos.

CÓMO OBTENER SERVICIO: El servicio de garantía está disponible A TRAVÉS DE SU DISTRIBUIDOR DE SERVICIO LOCAL AUTORIZADO, AL PRESENTAR EL COMPROBANTE DE COMPRA. Para localizar al distribuidor en su área, visite nuestro sitio en Internet en www.troybilt.com, busque el aviso clasificado en las Páginas Amarillas, llame al **1-800-520-5520** o escriba a Troy-Bilt LLC, PO Box 361131, Cleveland, OH 44136-0019.

Esta garantía limitada no ofrece cobertura en los siguientes casos:

- A. Sincronizaciones - bujías, ajustes de carburadores, filtros.
 - B. Artículos de desgaste, perillas percusivas, carretes externos, línea de corte, carretes internos, polea de arranque, cuerdas de arranque, correas motoras.
 - C. Troy-Bilt no le ofrece ninguna garantía a los productos que sean vendidos o exportados fuera de los Estados Unidos de América, sus posesiones y territorios, excepto aquellos que se vendan a través de los canales de distribución para exportación autorizados por Troy-Bilt.
- Troy-Bilt se reserva el derecho a cambiar o mejorar el diseño de cualquier producto Troy-Bilt, sin adoptar ninguna obligación para modificar cualquier producto fabricado con anterioridad.

Ninguna garantía implícita es aplicable después del período de aplicabilidad de la garantía expresa escrita con anterioridad, incluyendo cualquier garantía implícita de comerciabilidad o idoneidad para un propósito particular con respecto a las piezas identificadas. Exceptuando lo mencionado anteriormente, ninguna otra garantía expresa bien sea escrita o verbal con respecto a cualquier producto que sea concedida por cualquier persona o entidad, incluyendo al distribuidor o minorista, deberá comprometer a Troy-Bilt LLC durante el período de la Garantía, el remedio exclusivo es el arreglo o la sustitución del producto según lo establecido anteriormente. (Algunos estados no permiten limitaciones en cuanto al período de duración de una garantía implícita, de manera que puede que la limitación anterior no sea aplicable en su caso.)

Las estipulaciones establecidas en esta Garantía ofrecen la solución única y exclusiva que resulte de las ventas. Troy-Bilt no deberá ser responsable de pérdidas o daños incidentales o consecuentes que incluyan, sin limitación, gastos incurridos debido a la sustitución de servicios de mantenimiento de prados, transporte o gastos relacionados, o gastos de alquiler para reemplazar temporalmente un producto bajo garantía. (Algunos estados no permiten limitaciones en cuanto al período de duración de una garantía implícita, de manera que puede que la limitación anterior no sea aplicable en su caso.)

Ningún tipo de recuperación deberá ser superior al precio de compra del producto vendido, en ningún caso. La alteración de las características de seguridad del producto deberá anular esta Garantía. Usted adopta el riesgo y la obligación de la pérdida, daño o lesión en su persona o a su propiedad y/o la de otras personas y sus propiedades, que se origine a raíz del uso o mal uso, o la incompetencia para usar el producto.

Esta garantía limitada no deberá cubrir a ninguna otra persona distinta al comprador original, arrendatario original, o la persona para la cual se compró en calidad de regalo.

Relación de las leyes estatales con esta Garantía: Esta garantía le confiere derechos legales específicos, y puede que usted también tenga otros derechos, los cuales varían en cada estado.

Para localizar al distribuidor de servicio local más cercano, marque el número **1-800-520-5520**.

Troy-Bilt LLC
PO Box 361131
Cleveland, OH 44136-0019